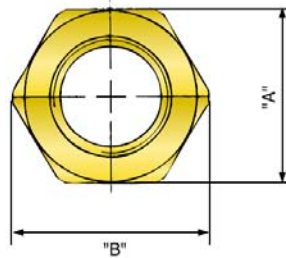
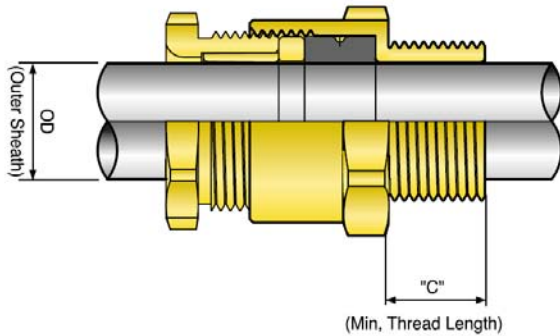


Non-Armoured Glands – ASG Range

Applications

- Cable Type : Unarmoured
- Sealing Area : Cable Outer Sheath
- Operating Temperature : -60°C to +80°C
- Materials : Brass or Brass nickel plated
- Suitable for use in:
Zone1, Zone2, Zone21 and Zone22,
Gas Groups, IIA, IIB and IIC
- Ingress Protection : IP66/67 to IEC529
- Certificate Nos : Baseefa09ATEX0187X,
IEC Ex: IECEx BAS 09.0089X



Part No	Entry Thread size		Outer Sheath 'OD'		Hexagon Dimensions		Min, Thread Length "c"	
	Metric	NPT	Min.	Max.	Across Flats "A"	Across Corners "B"	Metric	NPT
ASG-M16a	M16	-	3.0	6.0	22	24.5	15	-
ASG-M16b			6.1	10.0				
ASG-M20a	M20	1/2"	3.0	6.0	24	26.8	15	20
ASG-M20b			6.1	10.0				
ASG-M20c	M20	1/2"	10.1	15.0	27	30	15	20
ASG-M25	M25	3/4"	15.1	18.0	32	35.5	15	20
ASG-M32a	M32	1"	18.1	23.0	39	43.5	15	25
ASG-M32b			22.1	26.0				
ASG-M40	M40	1 1/4"	26.1	32.0	48	53.5	15	25.6
ASG-M50	M50	1 1/2"	32.1	40.0	58	64	15	26
ASG-M63a	M63	2"	40.1	47.0	73	81	15	27
ASG-M63b			47.1	54.0				
ASG-M75	M75	2 1/2"	55.0	65.0	85	94	15	40
ASG-M80	M80	3"	65.1	71.5	100	109.5	15	41.5
ASG-M90	M90	3"	71.6	77.6	105	113.5	15	41.5

Accessories

Lock-Nut, Sealing washer, Serrated washer, Earth Tag and PVC Shroud are available