

1

SX

Stainless Steel and Mild Steel Enclosures

SX Range

1

BPG Range

2

BPGA Range

3

ZAG Range

4

High Voltage

5

Fire Rated

6

ZP Range

7

Others

8

Technical

9

Further details on this range of enclosures can be found at;

www.ab-tech.co.uk/sx.htm



Stainless Steel and Mild Steel Enclosures

1

SX Range

The SX range comprises 14 sizes of enclosure manufactured in either mild steel or stainless steel. 11 sizes are available in depths of 140 or 200mm and 8 sizes are available in depths of 140, 200 or 300mm. The majority of the range can be fitted with removable gland plates on any or all of the four sides. The mild steel version (MSX) is available with a number of paint options (most RAL colours are available) and anti-corrosion finishes. Further advice on surface finishes can be sought from the ABTECH sales office.



The stainless steel range (SSX) is manufactured in 316 grade stainless steel to give the maximum environmental protection. The main body is manufactured from 2mm thick sheet and the mounting straps and gland plates from 3mm thick plate. Cable entries can be drilled in the enclosure door or sides or through the gland plates, if fitted. Entries may also be drilled through the rear face of the enclosure (EEx'e' versions also.)

Another important feature of the SX range is the hinged, lift-off door, which is held to the enclosure by at least 4 captive stainless steel screws, which also maintain the correct compression on the gasket. The hinges are solid block, machined oversize to enable the screws to control the closing of the door, not the hinge, its only function being to support the door when opened. The hinges allow easy removal of the door with only minimal opening required before removal (less than 10°).

Earthing is accomplished by means of an Internal / external earth stud fitted as standard which can be connected to the terminal mounting rail or component mounting plate. Optionally, earth studs can be fitted to the door and gland plates. Rail mounted earth terminals or proprietary earth bars can be fitted inside the enclosure and ABTECH Sales staff will be happy to advise on this. When fitted with a standard neoprene gasket, the enclosure is suitable for ambient temperatures of - 40°C to + 80°C (-40°F to +176°F). Alternatively, when fitted with an optional silicone gasket the temperature range is increased to - 70°C to + 130°C (-94°F to +266°F).

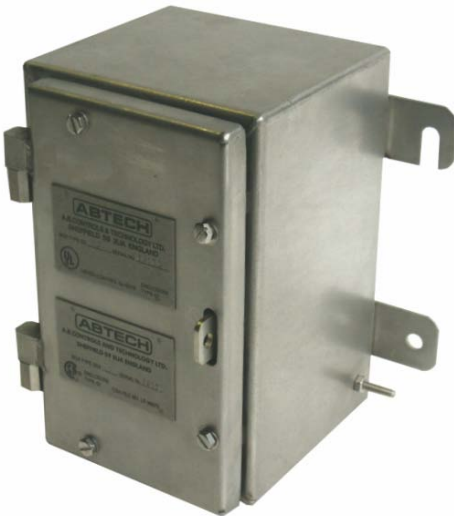
The SX range of enclosures are suitable for use in hazardous areas and can be supplied with a number of certificates. ATEX EEx'e' to BS EN 50019 (Zone 1 & 2) EEx'nA' to BS EN50021 (Zone 2) and NEMA 4X (CSA, UL & FM class 1, div 2) and GOST.



The SX range can be supplied fitted with any component approved terminal to apparatus level or can be supplied empty as component approved for the clients own certification requirements.

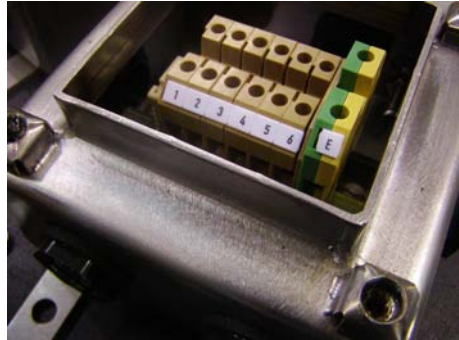
The SX range was specifically designed to meet the rigours of the North Sea environment and is capable of achieving IP66 and IP67. It has also undergone and passed the Shell/ERA deluge test which was devised to adequately test enclosures and electrical equipment which is routinely subjected to ships deck conditions or fire deluge systems.

IP68 enclosures are also available for depths up to 120 ft to special order. Further information on submersible enclosures is available in Section 8 of this catalogue.



The SX range has many features which lend itself to a wide variety applications, not least of which is the ability to be constructed to almost any dimension due to its fabricated nature. This can also be applied to EEx'e' enclosures where the certification allows oversize enclosures to be manufactured whilst retaining the next smallest sized enclosure's power rating.

The SX range is also suitable for fire resistance applications and when fitted with ceramic terminals meets the requirements of IEC 331 (750°C (1382°F) for 3 hours) and also BS6387/1983 (950°C (1742°F) for 3 hours). Further details are available in Section 6 of this catalogue.



Other applications include junction boxes, both industrial and hazardous area, OEM applications, fire protection systems, tunnel wiring, IP68 applications, etc.

A video demonstrating the main features of the SX range is available on our website, please visit www.ab-tech.co.uk/sx.htm

SX Range Features

- Wide Operating Temperature (-70°C to +175°C) (-94°F to +347°F)
- Ingress Protection up to IP68
- Fire Resistant to IEC331
- Impact Resistant > 10 Nm
- Corrosion Resistant
- Gland plates can be fitted to any or all four sides (size SX66 and above)
- Certification for use in Zone 1 and 2
- UL, CSA, IECEx, ATEX, FM, InMetro and GOST Approvals
- Ideal for Petrochemical and Marine applications

SX Range

1

BPG Range

2

BPGA Range

3

ZAG Range

4

High Voltage

5

Fire Rated

6

ZP Range

7

Others

8

Technical

9

Accessories and Options

1

SX Range

The following table is a list of the available accessories suitable for particular standard sizes of SX enclosures. Care should be taken when ordering accessories for use with enclosures intended for hazardous areas to ensure that compliance with certification is retained.

Part Number (see note 1)	Width (mm) (see note 2)	Height (mm) (see note 2)	Depth (mm) (see note 2)	140mm Depth	200mm Depth	300mm Depth	Gland Plates (on any or all four sides)	EP – Electro-polished external surfaces (SX range only)	LB - Label Bracket Welded to Door	ES - Earth Stud fitted to Door and Gland Plates	EB - Internal Earthing Bar	SIL - Silicone Gasket (see note 3)	BD - Breather Drain (see note 4)	TP - Tamper Proof Lid Fixing Screws	MP - Component Mounting Plate (Steel/Stainless Steel)	RF – RFI Protection (see note 5)
SX45	114	114	51	✗	✗	✗	✗	✓	✓	✗	✗	✓	✓	✓	✓	✓
SX64	102	152	63	✗	✗	✗	✗	✓	✓	✗	✗	✓	✓	✓	✓	✓
SX66	152	152	102	✗	✗	✗	✓	✓	✓	✓	✓	✓	✓	✓	✓	✓
SX0	152	229	-	✓	✓	✗	✓	✓	✓	✓	✓	✓	✓	✓	✓	✓
SX0.5	184	274	-	✓	✓	✗	✓	✓	✓	✓	✓	✓	✓	✓	✓	✓
SX1	234	324	-	✓	✓	✗	✓	✓	✓	✓	✓	✓	✓	✓	✓	✓
SX1.5	306	306	-	✓	✓	✓	✓	✓	✓	✓	✓	✓	✓	✓	✓	✓
SX2	372	324	-	✓	✓	✓	✓	✓	✓	✓	✓	✓	✓	✓	✓	✓
SX3	372	448	-	✓	✓	✓	✓	✓	✓	✓	✓	✓	✓	✓	✓	✓
SX4	372	510	-	✓	✓	✓	✓	✓	✓	✓	✓	✓	✓	✓	✓	✓
SX5	510	510	-	✓	✓	✓	✓	✓	✓	✓	✓	✓	✓	✓	✓	✓
SX6	510	780	-	✓	✓	✓	✓	✓	✓	✓	✓	✓	✓	✓	✓	✓
SX7	650	950	-	✓	✓	✓	✓	✓	✓	✓	✓	✓	✓	✓	✓	✓
SX8	800	1250	-	✓	✓	✓	✓	✓	✓	✓	✓	✓	✓	✓	✓	✓

Ordering Example;

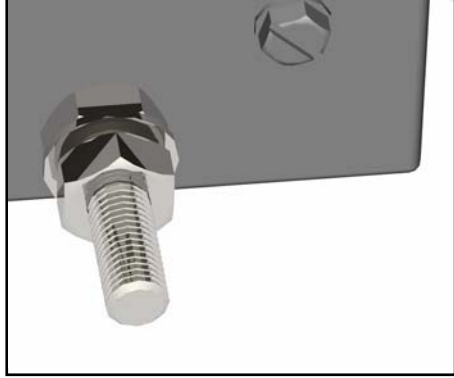
SX1.5 300 4GP LB EB

(Stainless Steel SX1.5 300mm deep, 4 gland plates, label bracket on door and internal earthing bar)

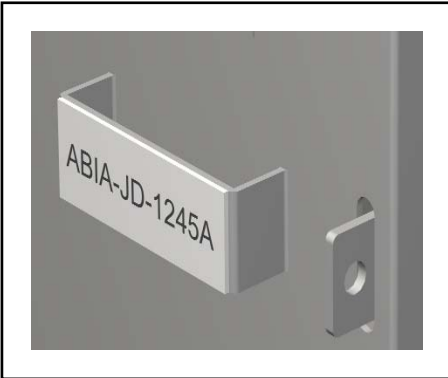
1. The range is available either in stainless steel 316 (SX variants) or mild steel (MSX variants).
2. Manufacturing tolerances are +/- 3mm on overall dimensions and +/-0.5mm on fixing hole centres.
3. Silicone gasket increases temperature rating (-70° to +175° C) (-94°F to +347°F) and may increase working life in some applications.
4. Breather drain available in IP66 stainless steel or plastic.
5. Radio Frequency Interference (RFI) gasket may reduce IP rating.



Full width, full height Gland Plates
(can be fitted to any or all sides)



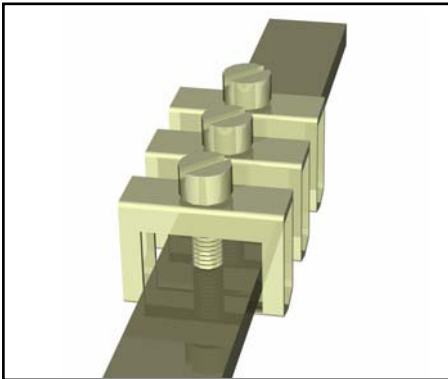
Earth Stud fitted to door and gland plates



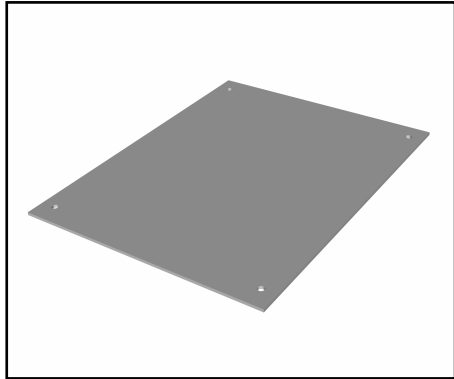
Label Bracket
(welded to door)



Electro-polished
(external surfaces on SX range only)



Internal Earthing bar
(can be fitted with clamps)



Component Mounting Plate
(steel or stainless steel 316)

- SX Range **1**
- BPG Range **2**
- BPGA Range **3**
- ZAG Range **4**
- High Voltage **5**
- Fire Rated **6**
- ZP Range **7**
- Others **8**
- Technical **9**

We also supply cable glands, stopping plugs, breather drains and continuity plates. Please contact us for further details.

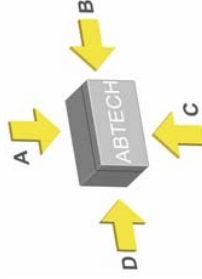
MSX 45 / SSX 45 Specifications	
Width	114mm
Length	114mm
Depth	51mm
Material	Mild steel Stainless steel 316 (1.4404)
Weight	1200g
IP Rating	66 or 67
Temperature	-40° to 80° C (-40°F to +176°F) (standard neoprene gasket) -70° to 130° C (-94°F to +266°F) (silicone gasket)
Certification	ATEX EEEx e (Zone 1 & Zone 2) BS EN 60079-7
	ATEX EEEx nA (Zone 2) BS EN 60079-15
	ATEX EEEx nR (Zone 2) BS EN 60079-15
Power Rating	CSA - Ex e (Class 1 Zone 1 & Zone 2)
	FM - AEx e (Class 1 Zone 1 & Zone 2)
	GOST-R Ex e (Zone 1 & Zone 2)
	NEMA 4X (CSA, UL & FM) (class 1 division 2)
Power Rating	8.0W

Terminal Populations		
Maximum Number of Rows	Wago	
1	Weidmuller	7
8	SAK 2.5	7
0	SAK 4	7
7	SAK 6	5
7	SAK 10 *	4
0	SAK 16 *	3
0	SAK 35	0
0	SAK 70	0
0	WDU 2.5	0
0	WDU 4	0
8	WDU 6	0
0	WDU 10	0
7	WDU 16	0
4	Phoenix	264-220
1	UK 2.5 N	9
1	UK 3 N	9
1	UK 5 N	7
1	UK 10 N *	4
	UK 16 N *	3
	UK 35 N	0

* Care must be taken to ensure that the size of this enclosure can accommodate the cable bending radius.

Cable Gland Entry Matrix		
Entry Size	Side A-C	Side B-D
M16	4	4
M20	2	2
M25	2	2
M32	0	0
M40	0	0

Drilling Envelope	
Side A-C	114 x 51mm
Side B-D	114 x 51mm

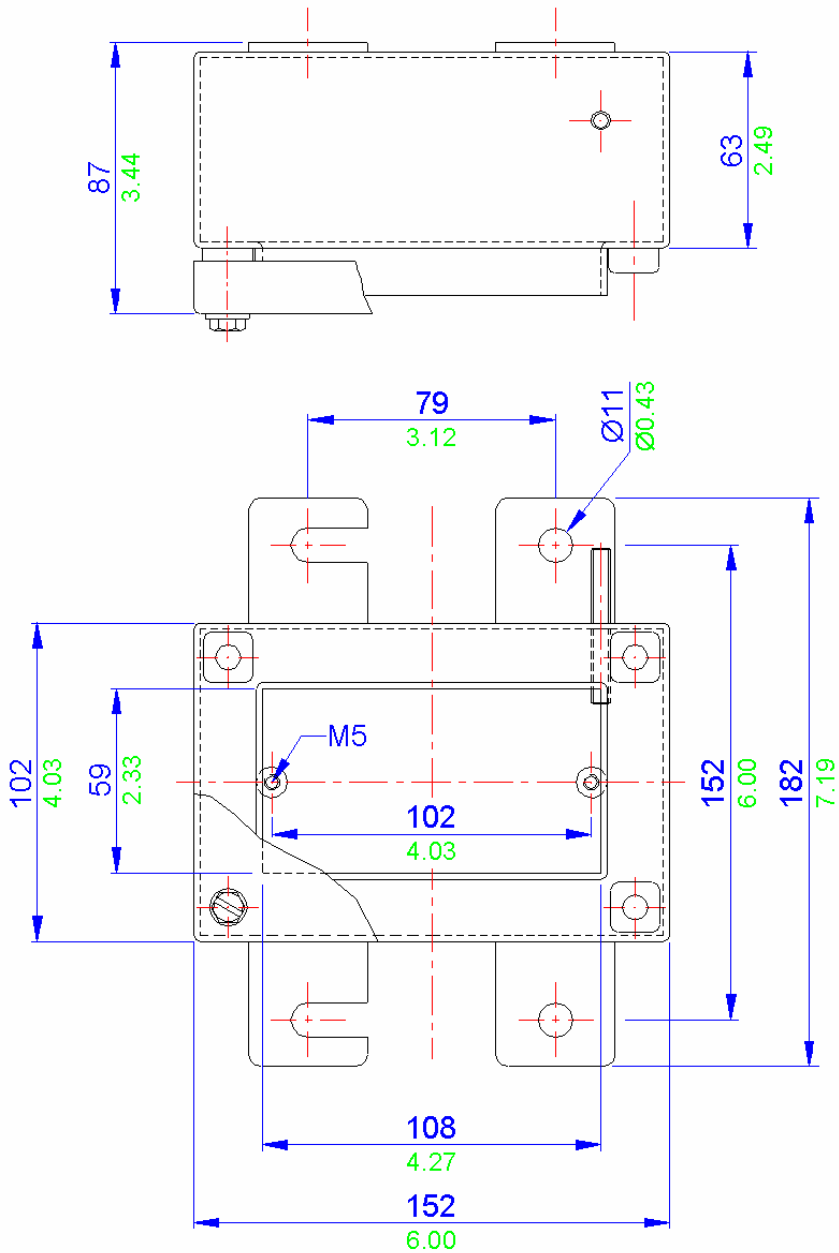


Example



Technical	9
Others	8
ZP Range	7
Fire Rated	6
High Voltage	5
ZAG Range	4
BPGA Range	3
BPG Range	2
SX Range	1

MSX 64 / SSX 64 Drawing



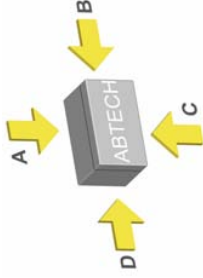
All blue dimensions in mm, all green dimensions in decimal inches (drawing not to scale)

MSX 64 / SSX 64 Specifications	
Width	102mm
Length	152mm
Depth	63mm
Material	Mild steel Stainless steel 316 (1.4404)
Weight	1500g
IP Rating	66 or 67
Temperature	-40° to 80° C (-40°F to +176°F) (standard neoprene gasket) -70° to 130° C (-94°F to +266°F) (silicone gasket)
Certification	ATEX EEx e (Zone 1 & Zone 2) BS EN 60079-7
	ATEX EEx nA (Zone 2) BS EN 60079-15
	ATEX EEx nR (Zone 2) BS EN 60079-15
	CSA - Ex e (Class 1 Zone 1 & Zone2) FM - AEx e (Class 1 Zone 1 & Zone2) GOST-R Ex e (Zone 1 & Zone 2) NEMA 4X (CSA, UL & FM) (class 1 division 2)
Power Rating	10.258W

Terminal Populations		1
Maximum Number of Rows	Wago	
Weidmuller	15	280-992
SAK 2.5	15	280-999
SAK 4	11	281-691
SAK 6	9	281-992
SAK 10 *	0	281-993
SAK 16 *	0	282-691
SAK 35	0	284-691
SAK 70	0	283-691
WDU 2.5	0	285-691
WDU 4	0	280-998
WDU 6	0	281-998
WDU 10	0	264-120
WDU 16	0	264-220
Phoenix	17	264-132 (2)
UK 2.5 N	17	264-134 (4)
UK 3 N	15	262-132 (2)
UK 5 N	9	262-134 (4)
UK 10 N *	7	
UK 16 N *	0	
UK 35 N		

* Care must be taken to ensure that the size of this enclosure can accommodate the cable bending radius.

Cable Gland Entry Matrix	
Entry Size	Side A-C Side B-D
M16	6 8
M20	3 4
M25	2 3
M32	1 2
M40	0 0
Drilling Envelope	
Side A-C	102 x 63mm
Side B-D	152 x 63mm

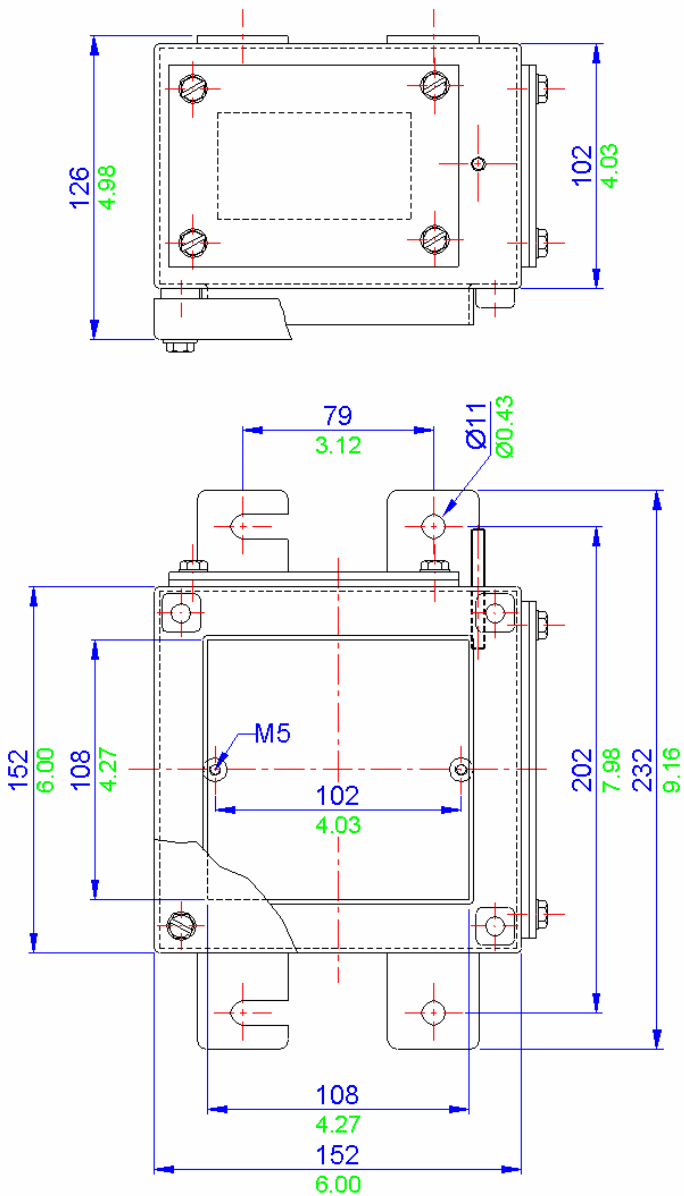


Example



Technical	9
Others	8
ZP Range	7
Fire Rated	6
High Voltage	5
ZAG Range	4
BPGA Range	3
BPG Range	2
SX Range	1

MSX 66 / SSX 66 Drawing



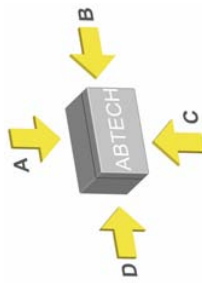
All blue dimensions in mm, all green dimensions in decimal inches (drawing not to scale)

MSX 66 / SSX 66 Specifications	
Width	152mm
Length	152mm
Depth	102mm
Material	Mild steel Stainless steel 316 (1.4404)
Weight	2200g
IP Rating	66 or 67
Temperature	-40° to 80° C (-40°F to +176°F) (standard neoprene gasket) -70° to 130° C (-94°F to +266°F) (silicone gasket)
Certification	ATEX EEx e (Zone 1 & Zone 2) BS EN 60079-7 ATEX EEx nA (Zone 2) BS EN 60079-15 ATEX EEx nR (Zone 2) BS EN 60079-15 CSA - Ex e (Class 1 Zone 1 & Zone 2) FM - AEx e (Class 1 Zone 1 & Zone 2) GOST-R Ex e (Zone 1 & Zone 2) NEMA 4X (CSA, UL & FM) (class 1 division 2) 14.287W

Terminal Populations		
Maximum Number of Rows	1	
Weidmuller	Wago	
SAK 2.5	15	280-992
SAK 4	15	280-999
SAK 6	11	281-691
SAK 10 *	9	281-992
SAK 16 *	7	281-993
SAK 35 *	6	282-691
SAK 70	0	284-691
WDU 2.5	17	283-691
WDU 4	15	285-691
WDU 6	11	280-998
WDU 10 *	9	281-998
WDU 16 *	7	264-120
Phoenix		264-220
UK 2.5 N	17	264-132 (2)
UK 3 N	17	264-134 (4)
UK 5 N	14	262-132 (2)
UK 10 N *	9	262-134 (4)
UK 16 N *	7	
UK 35 N *	6	

* Care must be taken to ensure that the size of this enclosure can accommodate the cable bending radius.

Cable Gland Entry Matrix		
Entry Size	Side A-C	Side B-D
M16	14	14
M20	8	8
M25	6	6
M32	3	3
M40	2	2
Drilling Envelope		
Side A-C	152 x 102mm	
Side B-D	152 x 102mm	

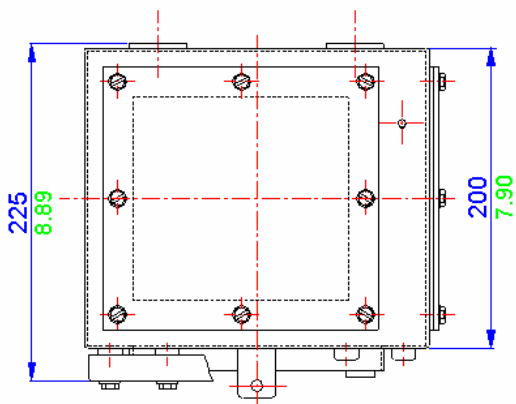
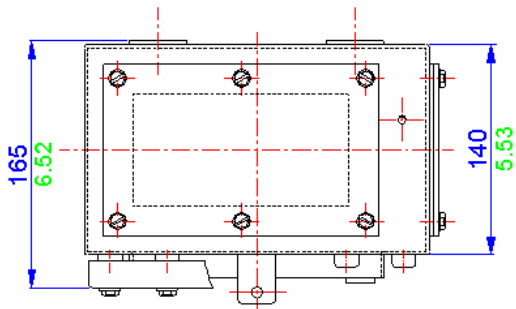
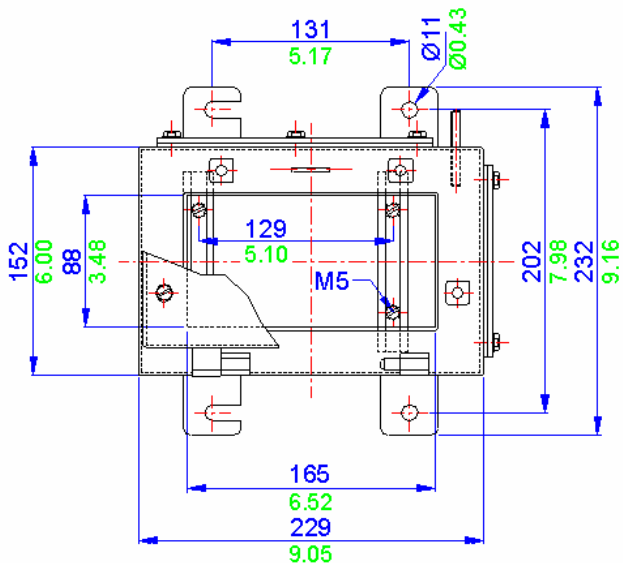


Example



Technical	9
Others	8
ZP Range	7
Fire Rated	6
High Voltage	5
ZAG Range	4
BPGA Range	3
BPG Range	2
SX Range	1

MSX 0 / SSX 0 Drawing



All blue dimensions in mm, all green dimensions in decimal inches (drawing not to scale)

MSX 0 / SSX 0 Specifications	
Width	152mm
Length	229mm
Depth	140mm or 200mm
Material	Mild steel
	Stainless steel 316 (1.4404)
Weight	140mm deep
	200mm deep 3200g 4000g
IP Rating	66 or 67
Temperature	-40° to 80° C (-40°F to +176°F) (standard neoprene gasket)
	-70° to 130° C (-94°F to +266°F) (silicone gasket)
Certification	ATEX EEx e (Zone 1 & Zone 2) BS EN 60079-7
	ATEX EEx nA (Zone 2) BS EN 60079-15
	ATEX EEx nR (Zone 2) BS EN 60079-15
	CSA - Ex e (Class 1 Zone 1 & Zone 2)
Power Rating	FM - AEx e (Class 1 Zone 1 & Zone 2)
	GOOST-R Ex e (Zone 1 & Zone 2)
	NEMA 4X (CSA, UL & FM) (class 1 division 2)
	19.874W

Terminal Populations		1
Maximum Number of Rows	Wago	
Weidmuller		
SAK 2.5	21	24
SAK 4	19	24
SAK 6	16	20
SAK 10 *	12	20
SAK 16 *	10	20
SAK 35 *	7	15
SAK 70 *	5	12
WDU 2.5	25	0
WDU 4	21	0
WDU 6	16	24
WDU 10 *	12	20
WDU 16 *	10	21
Phoenix		12
UK 2.5 N	25	4
UK 3 N	25	3
UK 5 N	21	4
UK 10 N *	12	3
UK 16 N *	10	
UK 35 N *	8	

* Care must be taken to ensure that the size of this enclosure can accommodate the cable bending radius.

Cable Gland Entry Matrix (Using standard gland clearances)		
Size	Side A-C	Side B-D
	M16	4
M20	2	6
M25	1	4
M32	1	2
M40	1	1

Drilling Envelope Size (with glandplate fitted)		
Width	Side A-C	Side B-D
	Height	87
	75	135



Example



Technical	9
Others	8
ZP Range	7
Fire Rated	6
High Voltage	5
ZAG Range	4
BPGA Range	3
BPG Range	2
SX Range	1

MSX 0.5 / SSX 0.5 Specifications	
Width	184mm
Length	274mm
Depth	140mm or 200mm
Material	Mild steel
	Stainless steel 316 (1.4404)
Weight	140mm deep 5000g
	200mm deep 6000g
IP Rating	66 or 67
Temperature	-40° to 80° C (-40°F to +176°F) (standard neoprene gasket)
	-70° to 130° C (-94°F to +266°F) (silicone gasket)
Certification	ATEX EEEx e (Zone 1 & Zone 2) BS EN 60079-7
	ATEX EEEx nA (Zone 2) BS EN 60079-15
	ATEX EEEx nR (Zone 2) BS EN 60079-15
Power Rating	CSA - Ex e (Class 1 Zone 1 & Zone 2)
	FM - AEx e (Class 1 Zone 1 & Zone 2)
	GOST-R Ex e (Zone 1 & Zone 2)
Power Rating	NEMA 4X (CSA, UL & FM) (class 1 division 2)
	19.874W

Terminal Populations		2
Maximum Number of Rows		
Weidmuller	Wago	
SAK 2.5	56	280-992
SAK 4	52	280-999
SAK 6	42	281-691
SAK 10 *	34	281-992
SAK 16 *	14	281-993
SAK 35 *	10	282-691 *
SAK 70 *	7	284-691 *
WDU 2.5	67	283-691
WDU 4	56	285-691
WDU 6	42	280-998
WDU 10 *	34	281-998
WDU 16 *	14	264-120
Phoenix		264-220
UK 2.5 N	68	264-132 (2)
UK 3 N	68	264-134 (4)
UK 5 N	56	262-132 (2)
UK 10 N *	34	262-134 (4)
UK 16 N *	14	
UK 35 N *	11	

* Care must be taken to ensure that the size of this enclosure can accommodate the cable bending radius.

Cable Gland Entry Matrix (Using standard gland clearances)		
	Side A-C	Side B-D
Size	140 200	140 200
M16	6 12	10 20
M20	4 9	8 12
M25	2 6	4 9
M32	2 4	3 6
M40	1 2	2 4
Drilling Envelope Size (with glandplate fitted)		
	Side A-C	Side B-D
Width	140 200	140 200
Height	119 119	189 189
	75 135	75 135



Example

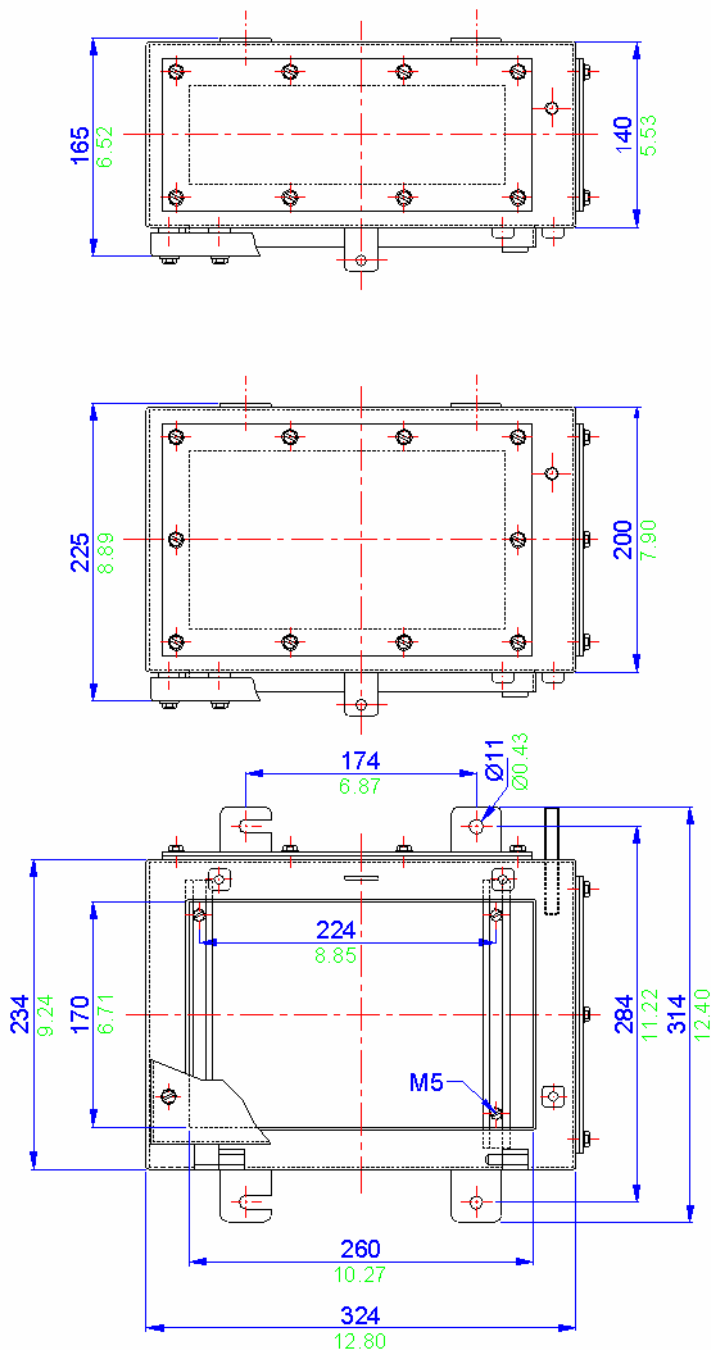


Technical	9
Others	8
ZP Range	7
Fire Rated	6
High Voltage	5
ZAG Range	4
BPGA Range	3
BPG Range	2
SX Range	1

1

SX Range

MSX 1 / SSX 1 Drawing



All blue dimensions in mm, all green dimensions in decimal inches (drawing not to scale)

MSX 1 / SSX 1 Specifications	
Width	234mm
Length	324mm
Depth	140mm or 200mm
Material	Mild steel Stainless steel 316 (1.4404)
Weight	140mm deep 6300g 200mm deep 7200g
IP Rating	66 or 67
Temperature	-40° to 80° C (-40°F to +176°F) (standard neoprene gasket) -70° to 130° C (-94°F to +266°F) (silicone gasket)
	ATEX EEx e (Zone 1 & Zone 2) BS EN 60079-7 ATEX EEx nA (Zone 2) BS EN 60079-15 ATEX EEx nR (Zone 2) BS EN 60079-15
Certification	CSA - Ex e (Class 1 Zone 1 & Zone 2) FM - AEx e (Class 1 Zone 1 & Zone2) GOST-R Ex e (Zone 1 & Zone 2) NEMA 4X (CSA, UL & FM) (class 1 division 2)
Power Rating	29,206W

Terminal Populations		
Maximum Number of Rows	2	
Weidmuller	Wago	
SAK 2.5	72	280-992
SAK 4	66	280-999
SAK 6	54	281-691
SAK 10 *	44	281-992
SAK 16 *	18	281-993
SAK 35 *	14	282-691
SAK 70 *	10	284-691 *
WDU 2.5	86	283-691 *
WDU 4	72	285-691 *
WDU 6	54	280-998
WDU 10 *	44	281-998
WDU 16 *	18	264-120
Phoenix		264-220
UK 2.5 N	86	264-132 (2)
UK 3 N	86	264-134 (4)
UK 5 N	72	262-132 (2)
UK 10 N *	44	262-134 (4)
UK 16 N *	18	
UK 35 N *	14	

* Care must be taken to ensure that the size of this enclosure can accommodate the cable bending radius.

Cable Gland Entry Matrix (Using standard gland clearances)		
Size	Side A-C	Side B-D
M16	10	200 140 200
M20	6	12 14 28
M25	3	9 5 12
M32	2	4 4 8
M40	2	2 3 6
Drilling Envelope Size (with glandplate fitted)		
	Side A-C	Side B-D
Width	169	169 239 239
Height	75	135 75 135

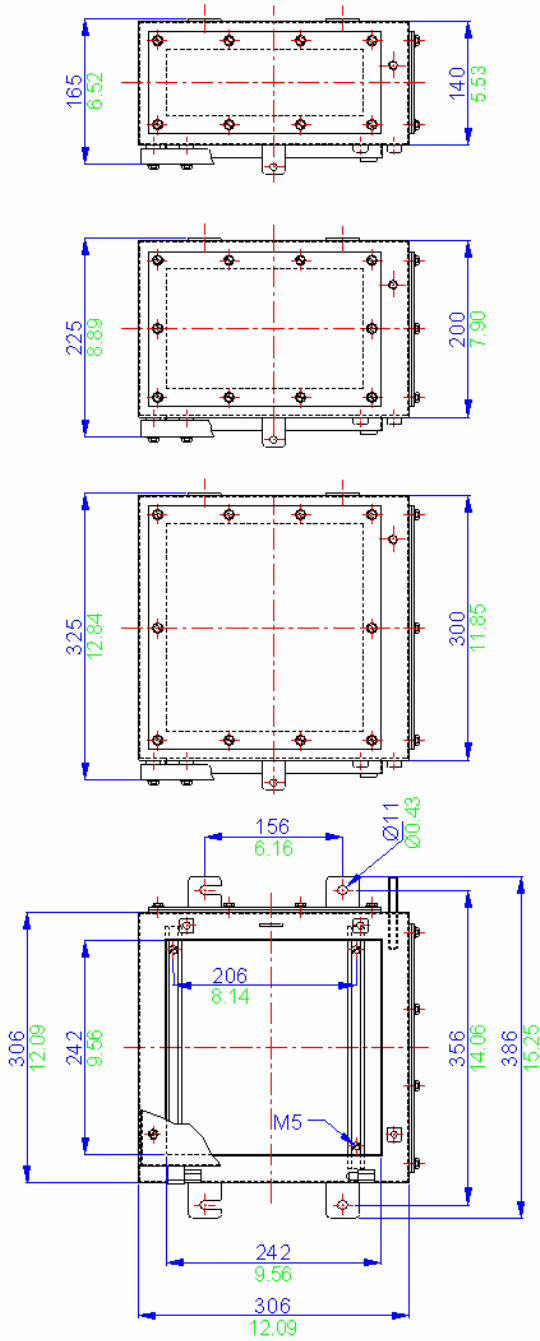


Example



Technical	9
Others	8
ZP Range	7
Fire Rated	6
High Voltage	5
ZAG Range	4
BPGA Range	3
BPG Range	2
SX Range	1

MSX 1.5 / SSX 1.5 Drawing



All blue dimensions in mm, all green dimensions in decimal inches (drawing not to scale)

MSX 1.5 / SSX 1.5 Specifications							
Width	306mm						
Length	306mm						
Depth	140mm or 200mm						
Material	Mild steel Stainless steel 316 (1.4404)						
Weight	<table border="1"> <tr> <td>140mm</td> <td>200mm</td> <td>300mm</td> </tr> <tr> <td>7.3Kg</td> <td>8.8Kg</td> <td>11.3Kg</td> </tr> </table>	140mm	200mm	300mm	7.3Kg	8.8Kg	11.3Kg
140mm	200mm	300mm					
7.3Kg	8.8Kg	11.3Kg					
IP Rating	66 or 67						
Temperature	-40° to 80° C (-40°F to +176°F) (standard neoprene gasket) -70° to 130° C (-94°F to +266°F) (silicone gasket) ATEX EEx e (Zone 1 & Zone 2) BS EN 60079-7 ATEX EEx nA (Zone 2) BS EN 60079-15 ATEX EEx nR (Zone 2) BS EN 60079-15						
Certification	CSA - Ex e (Class 1 Zone 1 & Zone 2) FM - AEx e (Class 1 Zone 1 & Zone 2) GOST-R Ex e (Zone 1 & Zone 2) NEMA 4X (CSA, UL & FM) (class 1 division 2)						
Power Rating	32.284W						

Terminal Populations		
Maximum Number of Rows	3	
Weidmuller	Wago	
SAK 2.5	99	280-992
SAK 4	93	280-999
SAK 6	75	281-691
SAK 10 *	60	281-992
SAK 16 *	34	281-993
SAK 35 *	24	282-691
SAK 70 *	20	284-691 *
WDU 2.5	118	283-691 *
WDU 4	99	285-691 *
WDU 6	75	280-998
WDU 10 *	60	281-998
WDU 16 *	34	264-120
Phoenix		264-220
UK 2.5 N	120	264-132 (2)
UK 3 N	120	264-134 (4)
UK 5 N	99	262-132 (2)
UK 10 N *	60	262-134 (4)
UK 16 N *	34	
UK 35 N *	26	

* Care must be taken to ensure that the size of this enclosure can accommodate the cable bending radius.

Cable Gland Entry Matrix (Using standard gland clearances)		
Size	Side A-C	Side B-D
M16	14	28
M20	10	18
M25	5	12
M32	4	8
M40	3	6

Drilling Envelope Size (with glandplate fitted)		
	Side A-C	Side B-D
	140	200
Width	241	241
Height	75	135



Example



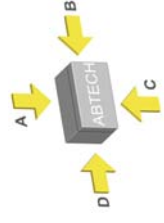
Technical	9
Others	8
Fire Rated	6
High Voltage	5
ZAG Range	4
BPGA Range	3
BPG Range	2
SX Range	1

MSX 2 / SSX 2 Specifications	
Width	372mm
Length	324mm
Depth	140mm or 200mm
Material	Mild steel
	Stainless steel 316 (1,4404)
Weight	140mm 9.5Kg
	200mm 11.3Kg
IP Rating	300mm 14.3Kg
	66 or 67
Temperature	-40° to 80° C (-40°F to +176°F) (standard neoprene gasket)
	-70° to 130° C (-94°F to +266°F) (silicone gasket)
Certification	ATEX EEx e (Zone 1 & Zone 2) BS EN 60079-7
	ATEX EEx nA (Zone 2) BS EN 60079-15
	ATEX EEx nR (Zone 2) BS EN 60079-15
	CSA - Ex e (Class 1 Zone 1 & Zone 2)
Power Rating	FM - AEx e (Class 1 Zone 1 & Zone 2)
	GOST-R Ex e (Zone 1 & Zone 2)
	NEMA 4X (CSA, UL & FM) (class 1 division 2)
Power Rating	36.500W

Terminal Populations		3
Maximum Number of Rows	Weidmuller	Wago
SAK 2.5	132	280-992
SAK 4	123	280-999
SAK 6	99	281-691
SAK 10	78	281-992
SAK 16	66	281-993
SAK 35	42	282-691
SAK 70	24	284-691 *
WDU 2.5	158	283-691 *
WDU 4	132	285-691 *
WDU 6	99	280-998
WDU 10 *	78	281-998
WDU 16 *	66	264-120
Phoenix		264-220
	UK 2.5 N	156
	UK 3 N	156
	UK 5 N	132
UK 10 N	78	262-134 (4)
UK 16 N	66	
UK 35 N	54	

* Care must be taken to ensure that the size of this enclosure can accommodate the cable bending radius.

Cable Gland Entry Matrix (Using standard gland clearances)		
	Side A-C	Side B-D
Size	140 200	140 200
M16	18 36	14 28
M20	14 24	10 18
M25	6 18	6 12
M32	5 10	4 8
M40	4 8	3 6
Drilling Envelope Size (with glandplate fitted)		
	Side A-C	Side B-D
Width	140 200	140 200
Height	307 307	239 239
	75 135	75 135

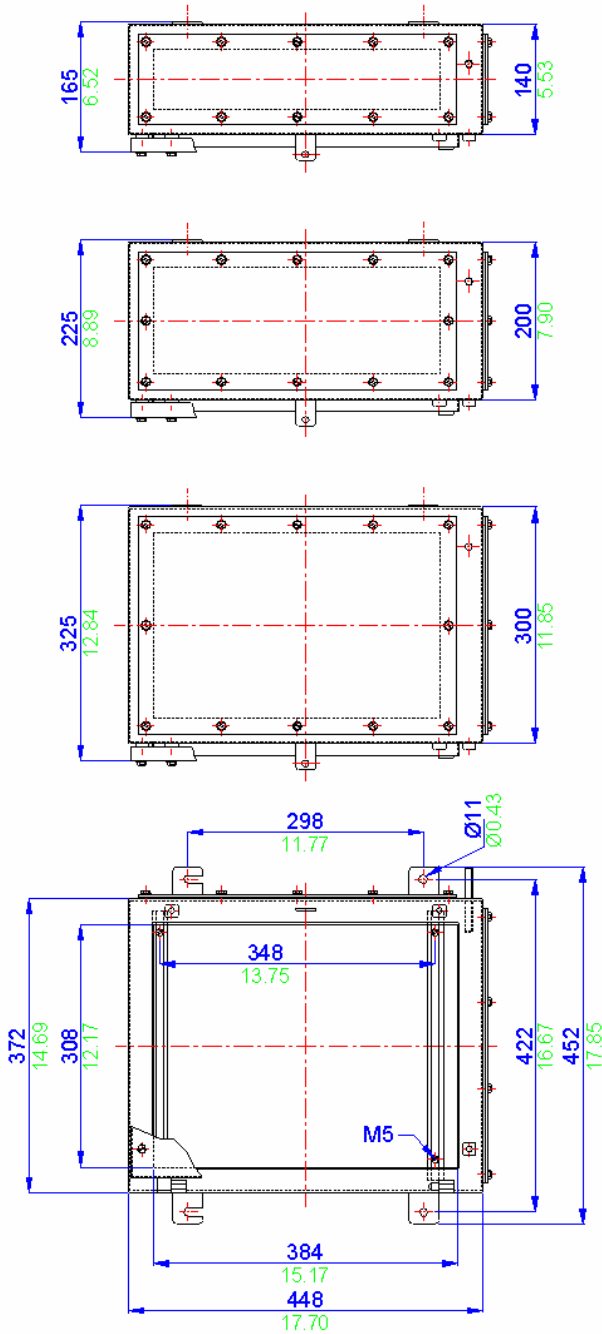


Example



Technical	9
Others	8
ZP Range	7
Fire Rated	6
High Voltage	5
ZAG Range	4
BPGA Range	3
BPG Range	2
SX Range	1

MSX 3 / SSX 3 Drawing



All blue dimensions in mm, all green dimensions in decimal inches (drawing not to scale)

MSX 3 / SSX 3 Specifications	
Width	372mm
Length	448mm
Depth	140mm or 200mm
Material	Mild steel Stainless steel 316 (1.4404)
Weight	140mm 11.3kg 200mm 13.3kg 300mm 16.6kg
IP Rating	66 or 67
Temperature	-40° to 80° C (-40°F to +176°F) (standard neoprene gasket) -70° to 130° C (-94°F to +266°F) (silicone gasket)
Certification	ATEX EEx e (Zone 1 & Zone 2) BS EN 60079-7
	ATEX EEx nA (Zone 2) BS EN 60079-15
	ATEX EEx nR (Zone 2) BS EN 60079-15
	CSA - Ex e (Class 1 Zone 1 & Zone 2) FM - AEx e (Class 1 Zone 1 & Zone 2) GOST-R Ex e (Zone 1 & Zone 2) NEMA 4X (CSA, UL & FM) (class 1 division 2)
Power Rating	42.289W

Terminal Populations		Maximum Number of Rows	3
	Weidmuller	Wago	
SAK 2.5	168	280-992	189
SAK 4	156	280-999	189
SAK 6	126	281-691	162
SAK 10 *	102	281-992	162
SAK 16 *	84	281-993	108
SAK 35 *	63	282-691	126
SAK 70 *	45	284-691 *	99
WDU 2.5	201	283-691 *	56
WDU 4	168	285-691 *	38
WDU 6	126	280-998	189
WDU 10 *	102	281-998	162
WDU 16 *	84	264-120	168
	Phoenix	264-220	99
UK 2.5 N	201	264-132 (2)	36
UK 3 N	201	264-134 (4)	24
UK 5 N	168	262-132 (2)	36
UK 10 N *	102	262-134 (4)	24
UK 16 N *	84		
UK 35 N *	69		

* Care must be taken to ensure that the size of this enclosure can accommodate the cable bending radius.

Cable Gland Entry Matrix (Using standard gland clearances)		
Size	Side A-C	Side B-D
M16	16 36	20 45
M20	12 24	16 28
M25	7 15	8 21
M32	5 10	6 12
M40	4 8	5 8

Drilling Envelope Size (with glandplate fitted)		
Width	Side A-C	Side B-D
Height	140 200	140 200
	307 307	363 363
	75 135	75 135

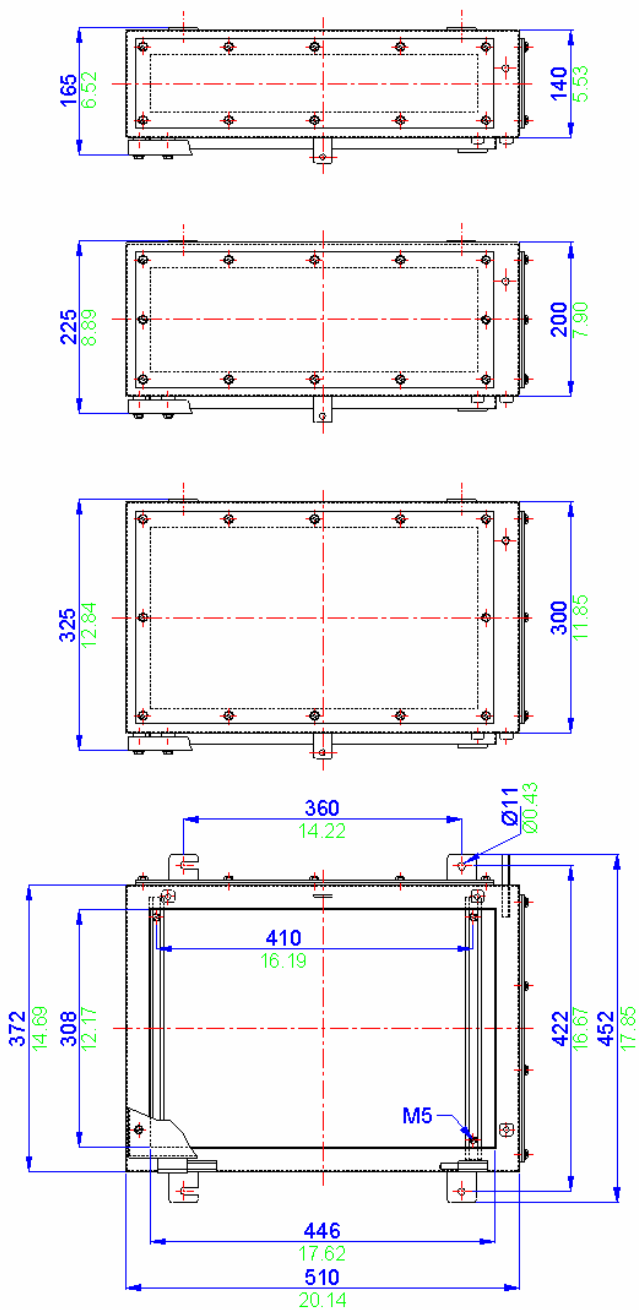


Example



Technical	9
Others	8
ZP Range	7
Fire Rated	6
High Voltage	5
ZAG Range	4
BPGA Range	3
BPG Range	2
SX Range	1

MSX 4 / SSX 4 Drawing



All blue dimensions in mm, all green dimensions in decimal inches (drawing not to scale)

MSX 4 / SSX 4 Specifications			
Width	372mm		
Length	510mm		
Depth	140mm or 200mm		
Material	Mild steel		
	Stainless steel 316 (1.4404)		
Weight	140mm	200mm	300mm
	12.7Kg	14.8Kg	18.3Kg
IP Rating	66 or 67		
Temperature	-40° to 80° C (-40°F to +176°F) (standard neoprene gasket)		
	-70° to 130° C (-94°F to +266°F) (silicone gasket)		
Certification	ATEX EEx e (Zone 1 & Zone 2) BS EN 60079-7		
	ATEX EEx nA (Zone 2) BS EN 60079-15		
	ATEX EEx nR (Zone 2) BS EN 60079-15		
	CSA - Ex e (Class 1 Zone 1 & Zone 2)		
Power Rating	FM - AEx e (Class 1 Zone 1 & Zone2)		
	GOST-R Ex e (Zone 1 & Zone 2)		
	NEMA 4X (CSA, UL & FM) (class 1 division 2)		
Power Rating	44.726W		

Terminal Populations			3
Maximum Number of Rows	Wegomuller		Wago
SAK 2.5	198	280-992	222
SAK 4	183	280-999	222
SAK 6	150	281-691	189
SAK 10	120	281-992	189
SAK 16	99	281-993	126
SAK 35	75	282-691	147
SAK 70	54	284-691	117
WDU 2.5	237	283-691	66
WDU 4	198	285-691	44
WDU 6	150	280-998	222
WDU 10 *	120	281-998	189
WDU 16 *	99	264-120	198
Phoenix			117
UK 2.5 N	237	264-132 (2)	42
UK 3 N	237	264-134 (4)	30
UK 5 N	198	262-132 (2)	42
UK 10 N	102	262-134 (4)	30
UK 16 N	99		
UK 35 N	81		

* Care must be taken to ensure that the size of this enclosure can accommodate the cable bending radius.

Cable Gland Entry Matrix (Using standard gland clearances)		
Size	Side A-C	Side B-D
M16	18 36	26 52
M20	14 24	20 36
M25	6 18	10 24
M32	5 10	7 14
M40	4 8	6 10

Drilling Envelope Size (with glandplate fitted)		
	Side A-C	Side B-D
Width	140	200
Height	307	425
	75	135
	135	75
	75	135

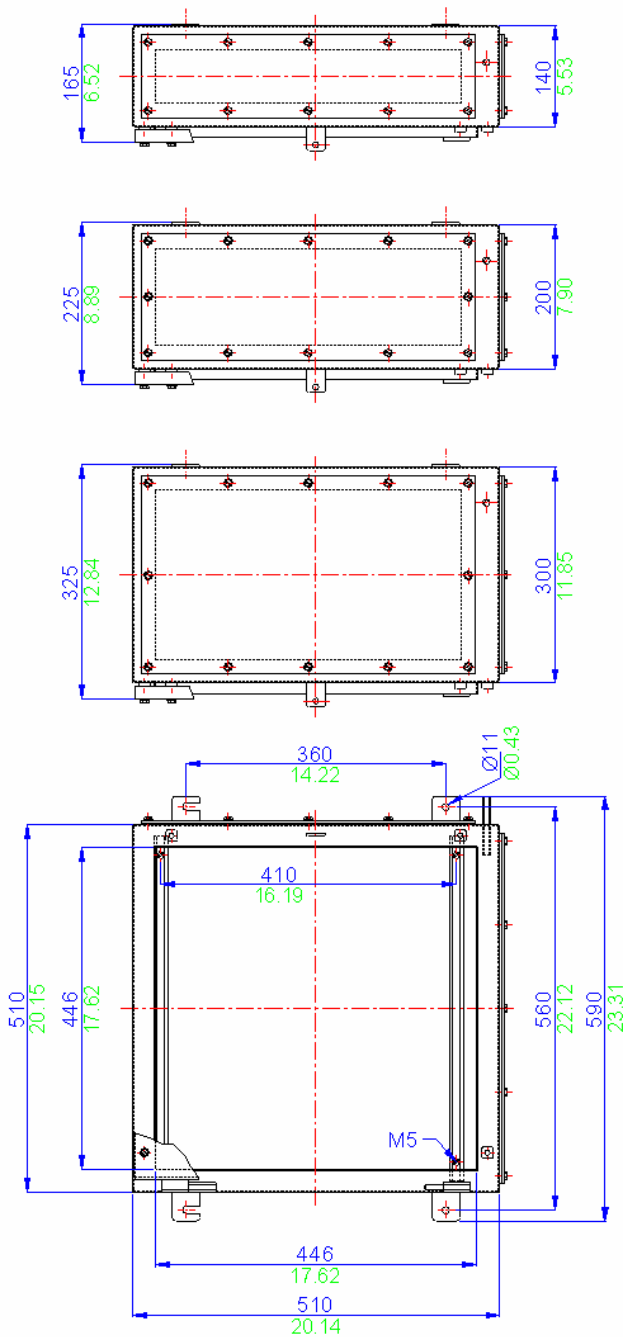


Example



Technical	9
Others	8
ZP Range	7
Fire Rated	6
High Voltage	5
ZAG Range	4
BPGA Range	3
BPG Range	2
SX Range	1

MSX 5 / SSX 5 Drawing



All blue dimensions in mm, all green dimensions in decimal inches (drawing not to scale)

MSX 5 / SSX 5 Specifications

Width	510mm		
Length	510mm		
Depth	140mm or 200mm		
Material	Mild steel		
	Stainless steel 316 (1.4404)		
Weight	140mm	200mm	300mm
	17.0Kg	20.0Kg	25.0Kg
IP Rating	66 or 67		
Temperature	-40° to 80° C (-40°F to +176°F) (standard neoprene gasket)		
	-70° to 130° C (-94°F to +266°F) (silicone gasket)		
Certification	ATEX EEx e (Zone 1 & Zone 2) BS EN 60079-7		
	ATEX EEx nA (Zone 2) BS EN 60079-15		
	ATEX EEx nR (Zone 2) BS EN 60079-15		
	CSA - Ex e (Class 1 Zone 1 & Zone 2)		
Power Rating	FM - AEx e (Class 1 Zone 1 & Zone2)		
	GOST-R Ex e (Zone 1 & Zone 2)		
Power Rating	NEMA 4X (CSA, UL & FM) (class 1 division 2)		
	50.328W		

Terminal Populations

Maximum Number of Rows	4	
Weidmuller	Wago	
	SAK 2.5	264
	SAK 4	244
	SAK 6	200
	SAK 10	160
	SAK 16	132
	SAK 35	100
	SAK 70	72
	WDU 2.5	316
	WDU 4	264
	WDU 6	200
	WDU 10	160
	WDU 16	132
Phoenix		264-220
	UK 2.5 N	316
	UK 3 N	316
	UK 5 N	264
	UK 10 N	160
	UK 16 N	132
	UK 35 N	108

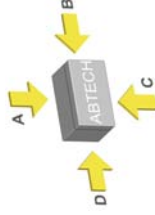
* Care must be taken to ensure that the size of this enclosure can accommodate the cable bending radius.

Cable Gland Entry Matrix
(Using standard gland clearances)

Size	Side A-C	Side B-D
	140	200
M16	26	55
M20	20	36
M25	10	27
M32	7	14
M40	6	12

Drilling Envelope Size
(with glandplate fitted)

	Side A-C	Side B-D
	140	200
Width	445	425
Height	75	135

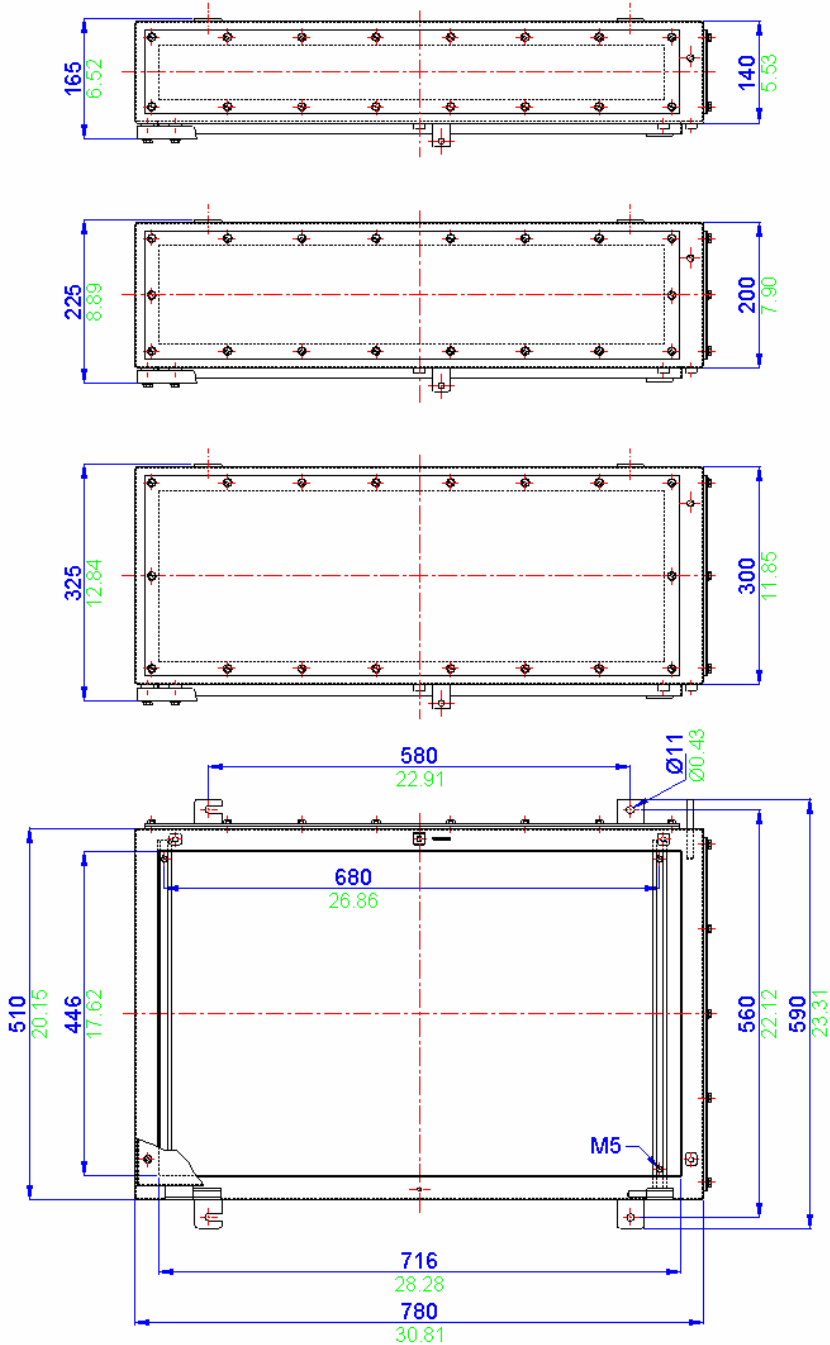


Example



Technical	9
Others	8
ZP Range	7
Fire Rated	6
High Voltage	5
ZAG Range	4
BPGA Range	3
BPG Range	2
SX Range	1

MSX 6 / SSX 6 Drawing



All blue dimensions in mm, all green dimensions in decimal inches (drawing not to scale)

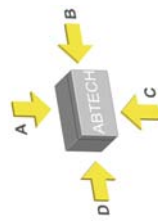
MSX 6 / SSX 6 Specifications		
Width	510mm	
Length	780mm	
Depth	140mm or 200mm or 300mm	
Material	Mild steel	
	Stainless steel 316 (1,4404)	
Weight	140mm	300mm
	24.0Kg	32.0Kg
IP Rating	66 or 67	
Temperature	-40° to 80° C (-40°F to +176°F) (standard neoprene gasket)	
	-70° to 130° C (-94°F to +266°F) (silicone gasket)	
Certification	ATEX EEx e (Zone 1 & Zone 2) BS EN 60079-7	
	ATEX EEx nA (Zone 2) BS EN 60079-15	
	ATEX EEx nR (Zone 2) BS EN 60079-15	
	CSA - Ex e (Class 1 Zone 1 & Zone 2)	
Power Rating	FM - AEx e (Class 1 Zone 1 & Zone2)	
	GOST-R Ex e (Zone 1 & Zone 2)	
	NEMA 4X (CSA, UL & FM) (class 1 division 2)	
Power Rating	57-383W	

Terminal Populations			4
Maximum Number of Rows	Wago		
	Weidmuller		
SAK 2.5	440	280-992	496
SAK 4	404	280-999	496
SAK 6	332	281-691	424
SAK 10	264	281-992	424
SAK 16	220	281-993	318
SAK 35	168	282-691	328
SAK 70	120	284-691	264
WDU 2.5	528	283-691	165
WDU 4	440	285-691	114
WDU 6	332	280-998	496
WDU 10	264	281-998	424
WDU 16	220	264-120	440
Phoenix		264-220	264
UK 2.5 N	524	264-132 (2)	92
UK 3 N	524	264-134 (4)	64
UK 5 N	440	262-132 (2)	92
UK 10 N	264	262-134 (4)	64
UK 16 N	229		
UK 35 N	176		

* Care must be taken to ensure that the size of this enclosure can accommodate the cable bending radius.

Cable Gland Entry Matrix (Using standard gland clearances)		
	Side A-C	Side B-D
Size	140 200 200	140 200
M16	26 55 42	85
M20	20 36 34	60
M25	10 27 18	42
M32	7 14 11	22
M40	6 12 10	18

Drilling Envelope Size (with glandplate fitted)		
	Side A-C	Side B-D
	140 200 200	140 200
Width	445 405 695	695
Height	75 135 75	135

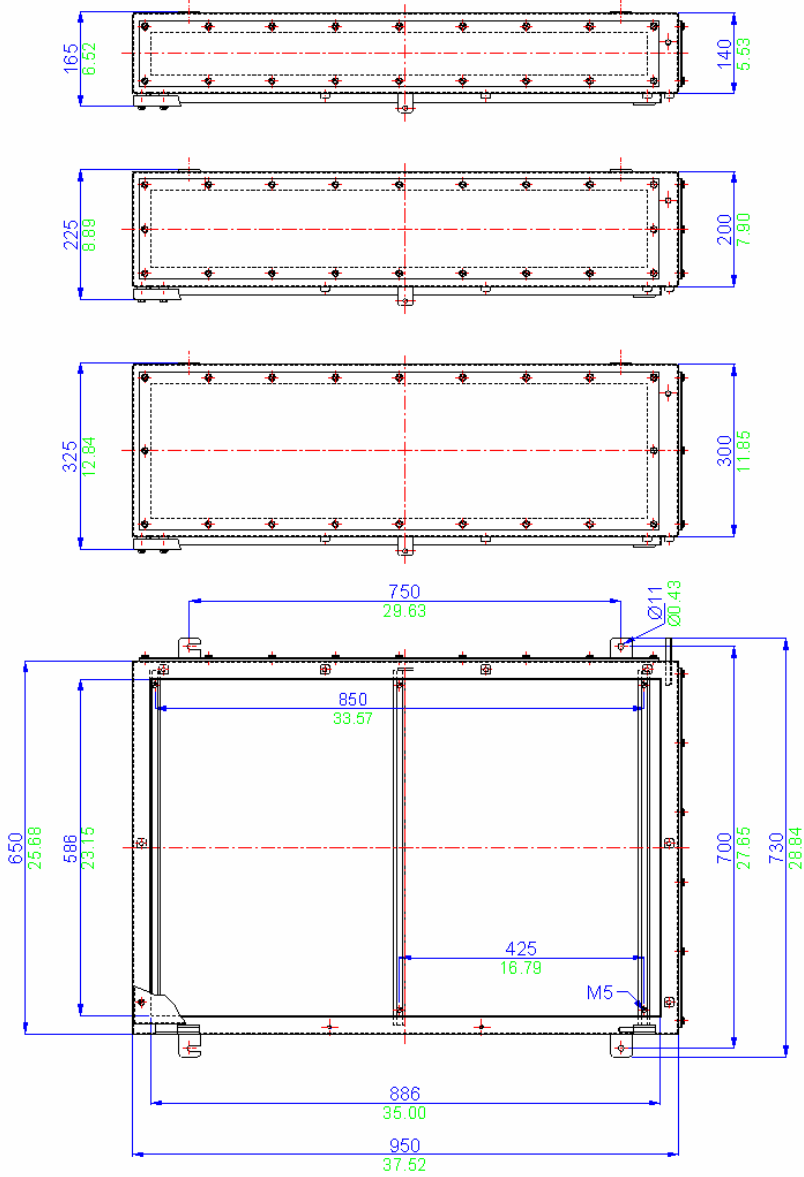


Example



Technical	9
Others	8
ZP Range	7
Fire Rated	6
High Voltage	5
ZAG Range	4
BPGA Range	3
BPG Range	2
SX Range	1

MSX 7 / SSX 7 Drawing



All blue dimensions in mm, all green dimensions in decimal inches (drawing not to scale)

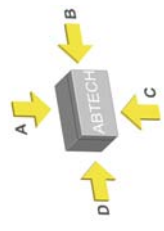
MSX 7 / SSX 7 Specifications	
Width	650mm
Length	950mm
Depth	140mm or 200mm or 300mm
Material	Mild steel
	Stainless steel 316 (1,4404)
Weight	140mm 35.0Kg
	200mm 39.0Kg
IP Rating	300mm 45.0Kg
	66 or 67
Temperature	-40° to 80° C (-40°F to +176°F) (standard neoprene gasket)
	-70° to 130° C (-94°F to +266°F) (silicone gasket)
Certification	ATEX EEx e (Zone 1 & Zone 2) BS EN 60079-7
	ATEX EEx nA (Zone 2) BS EN 60079-15
	ATEX EEx nR (Zone 2) BS EN 60079-15
	CSA - Ex e (Class 1 Zone 1 & Zone 2) FM - AEx e (Class 1 Zone 1 & Zone2) GOST-R Ex e (Zone 1 & Zone 2)
Power Rating	NEMA 4X (CSA, UL & FM) (class 1 division 2)
	68,000W

Terminal Populations		5
Maximum Number of Rows	Weidmuller	Wago
SAK 2.5	685	280-992
SAK 4	635	280-999
SAK 6	520	281-691
SAK 10	415	281-992
SAK 16	345	281-993
SAK 35	260	282-691
SAK 70	150	284-691
WDU 2.5	822	283-691
WDU 4	685	285-691
WDU 6	520	280-998
WDU 10	415	281-998
WDU 16	345	264-120
Phoenix		264-220
UK 2.5 N	820	264-132 (2)
UK 3 N	820	264-134 (4)
UK 5 N	685	262-132 (2)
UK 10 N	415	262-134 (4)
UK 16 N	345	
UK 35 N	280	

* Care must be taken to ensure that the size of this enclosure can accommodate the cable bending radius.

Cable Gland Entry Matrix (Using standard gland clearances)		
	Side A-C	Side B-D
Size	140	200
M16	36	72
M20	28	48
M25	14	36
M32	10	20
M40	8	16

Drilling Envelope Size (with glandplate fitted)		
	Side A-C	Side B-D
Width	140	200
Height	585	865
	75	135

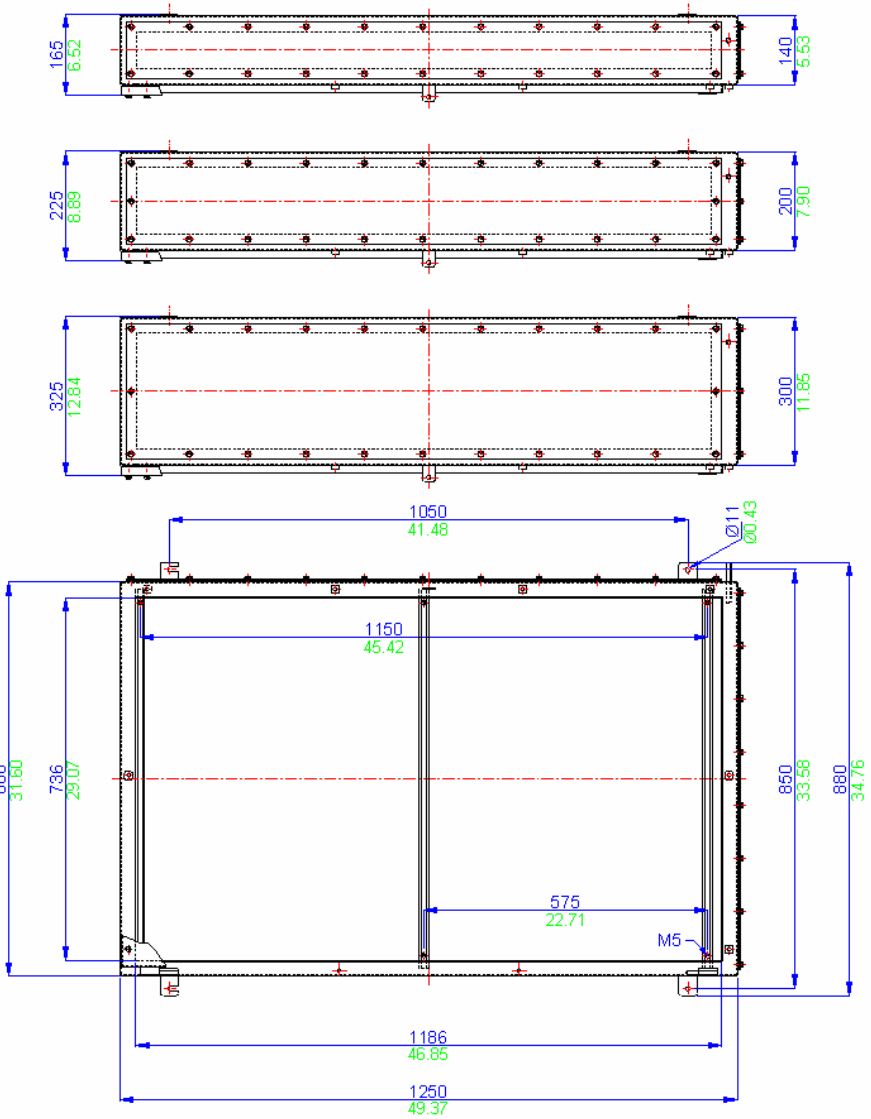


Example



Technical	9
Others	8
ZP Range	7
Fire Rated	6
High Voltage	5
ZAG Range	4
BPGA Range	3
BPG Range	2
SX Range	1

MSX 8 / SSX 8 Drawing



All blue dimensions in mm, all green dimensions in decimal inches (drawing not to scale)

MSX 8 / SSX 8 Specifications							
Width	800mm						
Length	1250mm						
Depth	140mm or 200mm or 300mm						
Material	Mild steel Stainless steel 316 (1.4404)						
Weight	<table border="1"> <tr> <td>140mm</td> <td>200mm</td> <td>300mm</td> </tr> <tr> <td>40.0Kg</td> <td>52.0Kg</td> <td>72.0Kg</td> </tr> </table>	140mm	200mm	300mm	40.0Kg	52.0Kg	72.0Kg
140mm	200mm	300mm					
40.0Kg	52.0Kg	72.0Kg					
IP Rating	66 or 67						
Temperature	-40° to 80° C (-40°F to +176°F) (standard neoprene gasket) -70° to 130° C (-94°F to +266°F) (silicone gasket)						
Certification	ATEX EEx e (Zone 1 & Zone 2) BS EN 60079-7						
	ATEX EEx nA (Zone 2) BS EN 60079-15						
	ATEX EEx nR (Zone 2) BS EN 60079-15						
	CSA - Ex e (Class 1 Zone 1 & Zone2)						
Power Rating	FM - AEx e (Class 1 Zone 1 & Zone2)						
	GOST-R Ex e (Zone 1 & Zone 2)						
	NEMA 4X (CSA, UL & FM) (class 1 division 2)						
	119.462W						

Terminal Populations		5
Maximum Number of Rows	Weidmuller	Wago
SAK 2.5	1295	280-992
SAK 4	635	280-999
SAK 6	520	281-691
SAK 10	415	281-992
SAK 16	345	281-993
SAK 35	260	282-691
SAK 70	150	284-691
WDU 2.5	1554	283-691
WDU 4	1295	285-691
WDU 6	520	280-998
WDU 10	415	281-998
WDU 16	345	264-120
	Phoenix	264-220
UK 2.5 N	820	264-132 (2)
UK 3 N	820	264-134 (4)
UK 5 N	685	262-132 (2)
UK 10 N	415	262-134 (4)
UK 16 N	345	
UK 35 N	280	

* Care must be taken to ensure that the size of this enclosure can accommodate the cable bending radius.

Cable Gland Entry Matrix (Using standard gland clearances)		
	Side A-C	Side B-D
Size	140 200	140 200
M16	45 90	72 150
M20	36 60	58 100
M25	18 45	30 72
M32	12 24	20 40
M40	10 20	17 32
Drilling Envelope Size (with glandplate fitted)		
	Side A-C	Side B-D
Width	140 200	140 200
Height	735 735	1165 1165
	75 135	75 135



Example



Technical	9
Others	8
Fire Rated	6
High Voltage	5
ZAG Range	4
BPGA Range	3
BPG Range	2
SX Range	1