

5

High Voltage

Stainless Steel and Mild Steel Enclosures

SX Range

1

BPG Range

2

BPGA Range

3

ZAG Range

4

High Voltage

5

Fire Rated

6

ZP Range

7

Others

8

Technical

9

Further details on this range of enclosures can be found at;

www.ab-tech.co.uk/hv.htm



Stainless Steel and Mild Steel Enclosures

For many years, ABTECH have been at the forefront in the design and manufacture of high voltage connection solutions for use in hazardous areas.



All ABTECH high voltage enclosures are manufactured in 316 grade stainless steel and have an IP rating of IP66 as standard. IP67 versions are also available.

All enclosures are ATEX certified by SIRI for use in a Category 2/Zone 1 areas and Category 3/Zone 2 areas.

The entire range offers flexibility in terms of both connection options and mounting arrangements.

New variations are continually being added to the High Voltage range. For example, we can now offer Category 3/Zone 2 high voltage enclosures capable of operation at 35kV.

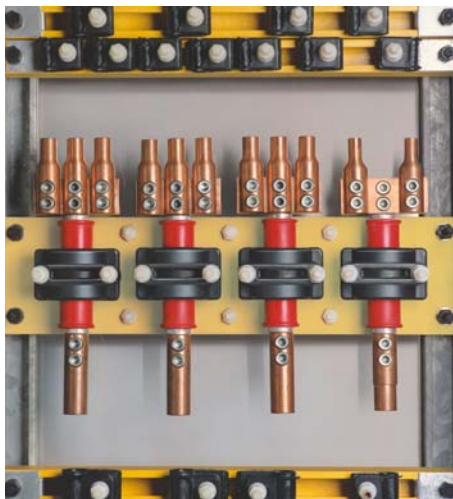
Whatever your requirement may be for high voltage connections in hazardous areas, call ABTECH for the solution.

Our High Voltage ranges currently consist of the following types;

MJB Range

The MJB range provides a simple, low cost but effective solution for the connection of cables. Used primarily for joining cables or as a connection box. Maximum voltage 8.3kV.

Through constantly listening to customers needs, the range has been developed and expanded to the five major ranges shown in this section. Different sizes and options result in more than 50 combinations to choose from.



5

High Voltage

DPJB Range

The original high voltage 'down hole pump' connection box which has been used by many customers all over the world.



HVJB Range

The latest in the High Voltage range offering enhanced flexibility over the choice of cables, entries and cable terminations. Maximum voltage 11kV.



LR Range

The LR range was originally designed for a specialist application for a specific customer. However, this type of enclosure has since been used in more general applications where a need for the flexible connection arrangements is required. Maximum voltage 11kV



BusBar Box

A busbar enclosure with a maximum voltage of 11kV, a current capacity of 3000A per phase and a fault rating of 80kA for 1 second. Capable of connecting 3 phase & neutral and up to 6 cables per phase.



SX125 Range

A unique solution to the termination of umbilical cables to offshore platform or on-shore distribution systems. A power conductor compartment is provided for use at up to 11 kV and a separate control compartment for terminating optical fibres and/or control conductors.

SX Range

1

BPG Range

2

BPGA Range

3

ZAG Range

4

High Voltage

5

Fire Rated

6

ZP Range

7

Others

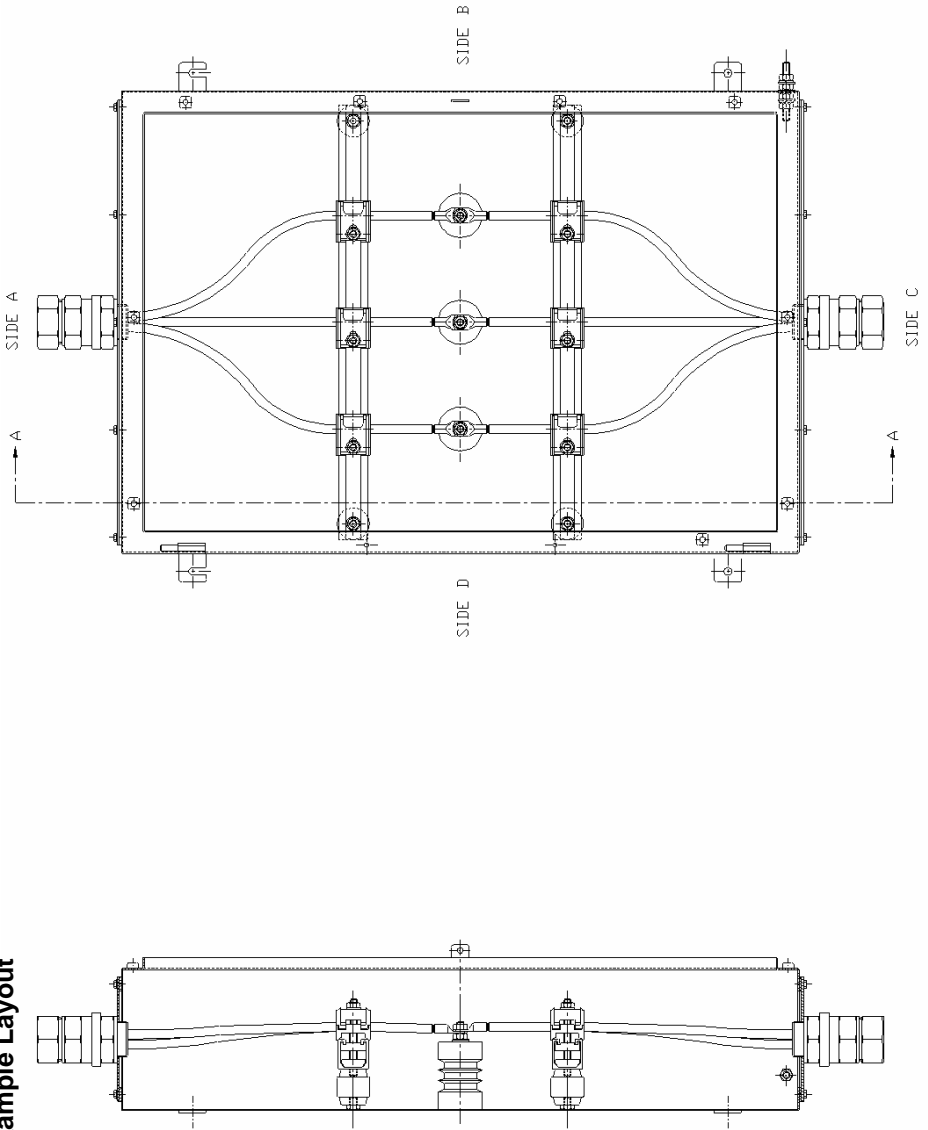
8

Technical

9

5 High Voltage

MJB Range Example Layout



MJB Range

The ABTECH MJB range offers a simple and effective means of connecting cables or equipment, and is suitable for voltages up to a maximum of 8.3 kV.

The MJB range is manufactured in either mild steel or stainless steel and utilises the SX range of enclosures from SX 5 through SX 8 all available in either 200 or 300mm depths. These are the standard sizes depending on maximum operating voltage and conductor sizes although custom sizes can be manufactured to special order.

By using the SX design the same benefits are afforded to the MJB range. These benefits include: ingress protection to IP66 as standard with IP67 available as an option, enclosure tested to the Shell/ERA deluge specification, heavy duty construction, padlock facility and internal/external earth stud fitted as standard.

All hazardous area versions are ATEX certified using the latest standards and are suitable for operation in a Category 2/Zone 1 area and Category 3/Zone 2 area.

Standard operating ambient temperature is in the range -20°C to +40°C (-4°F to +176°F). Versions are available which can accommodate an ambient temperature range of -50°C to +65°C (-58°F to +149°F).



| Part Number | Width (mm) (Dimension B) | Height (mm) (Dimension A) | Depth (mm) | Dimension C (mm) | Dimension D (mm) | Power Rating (W) | Maximum Voltage (kV) | Maximum Ways | Maximum Conductor Size (mm ²) |
|-------------|-----------------------------|------------------------------|------------|------------------|------------------|------------------|----------------------|--------------|---|
| MJB5 | 510 | 510 | 200/300 | 560 | 360 | 16 | 6.6 | 3 | 120 |
| MJB5/3 | 510 | 510 | 300 | 560 | 360 | 16 | 8.3 | 3 | 35 |
| MJB6 | 510 | 780 | 200/300 | 560 | 580 | 23 | 6.6 | 3 | 120 |
| MJB6/3 | 510 | 780 | 300 | 560 | 580 | 23 | 8.3 | 3 | 35 |
| MJB7 | 650 | 950 | 200/300 | 700 | 750 | 33 | 6.6 | 4 | 240 |
| MJB7/3 | 650 | 950 | 300 | 700 | 750 | 33 | 8.3 | 4 | 240 |
| MJB8 | 800 | 1250 | 200/300 | 850 | 1050 | 50 | 6.6 | 4 | 240 |
| MJB8/3 | 800 | 1250 | 200/300 | 850 | 1050 | 50 | 8.3 | 4 | 240 |

SX Range

1

BPG Range

2

BPGA Range

3

ZAG Range

4

High Voltage

5

Fire Rated

6

ZP Range

7

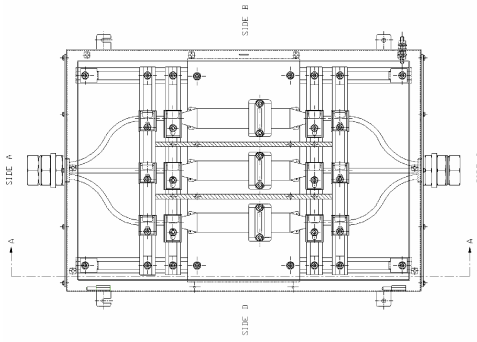
Others

8

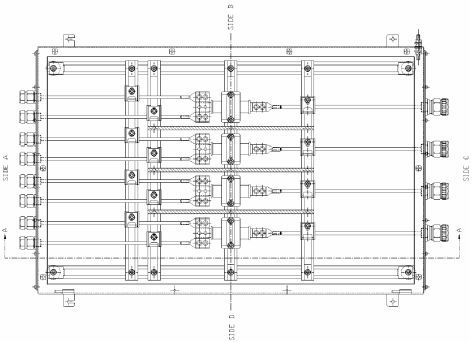
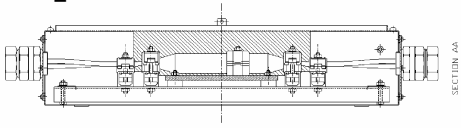
Technical

9

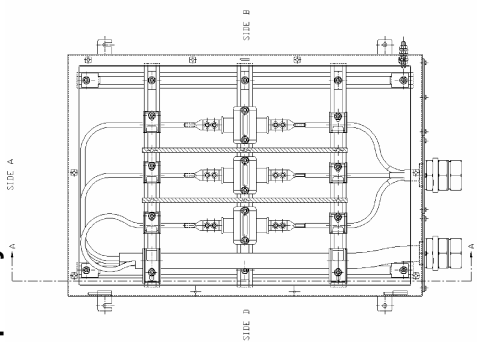
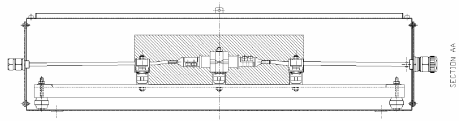
DPJB Range Example Layouts



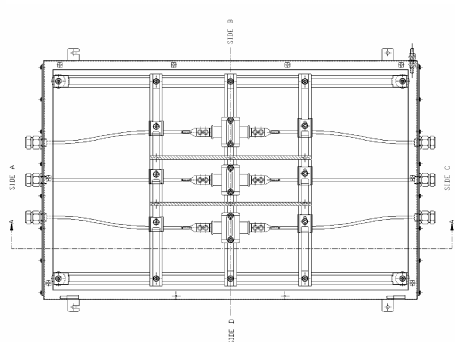
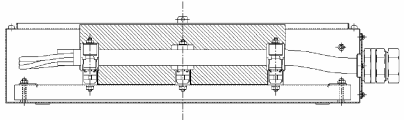
DPJB2



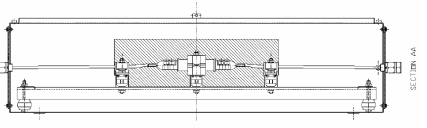
DPJB11



DPJB1



DPJB9



DPJB Range

The ABTECH DPJB range offers an effective means of connecting cables or equipment up to a maximum of 11kV and is fault rated to 50kA for 1 second. Cable conductor sizes of up to 630mm² can be accommodated depending on the enclosure configuration and number of conductors.

The DPJB is manufactured in either mild steel or stainless steel and utilises the SX7 and SX8 enclosures in either 200 or 300mm depth depending on the operating voltage. By using the SX range design the same benefits are afforded to the DPJB range. These benefits include: ingress protection to IP66 as standard with IP67 available as an option, enclosure tested to the Shell/ERA deluge specification, heavy duty construction, padlock facility and internal/external earth stud fitted as standard.

All hazardous area versions are ATEX certified using the latest standards and are suitable for operation in a Category 2/Zone 1 areas and Category 3/Zone 2 areas. Standard operating ambient temperature is in a range – 20°C to + 40°C (-4°F to +176°F). Versions are available which can accommodate an ambient temperature range of - 50°C to + 65°C (-58°F to +149°F).. A double compartment version is available with a separate compartment which can be used to terminate control cables or fibre optic cables. This allows access to the low voltage/ fibre compartment without having to de-energise the high voltage compartment.

Versions are also available with purge protection for use in Class 1/Division 2 areas. Phase segregation is fitted as standard.

The DPJB range can be used as either a through box or with both the incoming and outgoing cable entering via one end. In the later instance it is important to consider the bending radii of the cables to ensure the enclosure is large enough

Spare copper crimp lugs are available from ABTECH to allow repairs or re-use of the enclosure.



| Part Number | Width (mm) (Dimension B) | Height (mm) (Dimension A) | Depth (mm) | Power Rating (W) | Maximum Voltage (kV) | Maximum Ways | Max. Conductor Size (mm ²) |
|-------------|-----------------------------|------------------------------|------------|---------------------|-------------------------|--------------|---|
| DPJB1 | 650 | 950 | 200 | 48.6 | 6.6 | 3 | 630 |
| DPJB3 | 650 | 950 | 200 | 48.6 | 6.6 | 4 | 630 |
| DPJB5 | 800 | 1250 | 300 | 48.6 | 6.6 | 3 | 630 |
| DPJB7 | 800 | 1250 | 300 | 48.6 | 6.6 | 4 | 630 |
| DPJB9 | 800 | 1250 | 300 | 48.6 | 11 | 3 | 630 |
| DPJB11 | 800 | 1250 | 300 | 48.6 | 11 | 4 | 630 |
| DPJB2 | 650 | 950 | 200 | 50.0 | 6.6 | 4 | 120 |

SX Range 1

BPG Range 2

BPGA Range 3

ZAG Range 4

High Voltage 5

Fire Rated 6

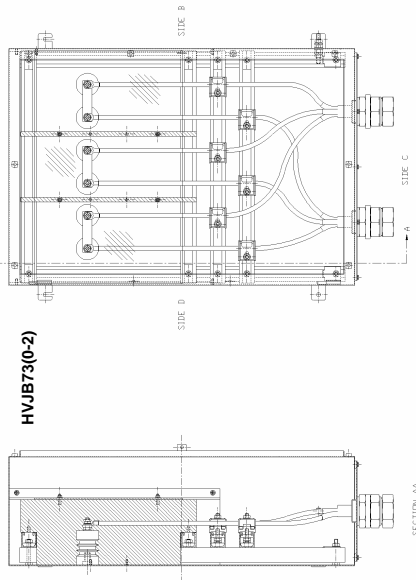
ZP Range 7

Others 8

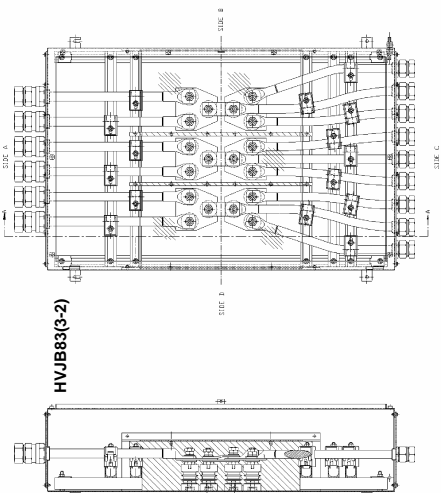
Technical 9

HVJB Range Example Layouts

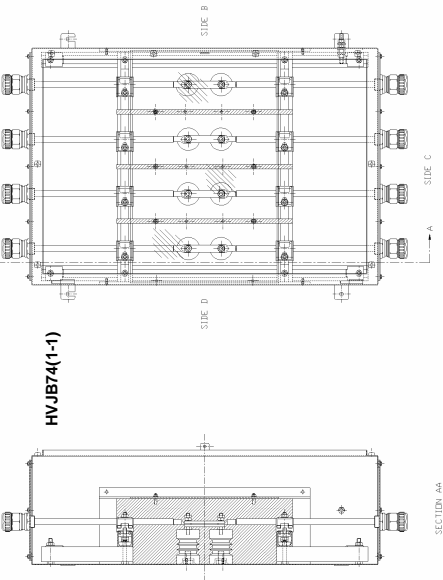
HVJB73(0-2)



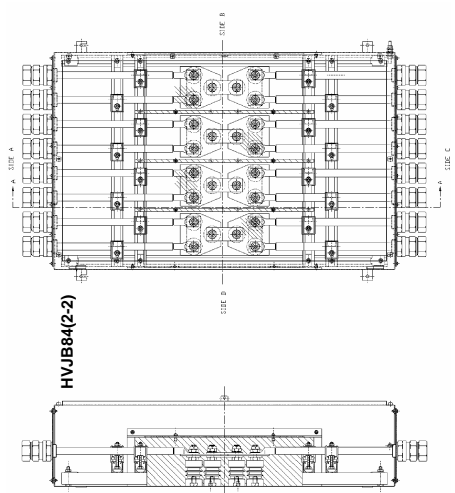
HVJB83(3-2)



HVJB74(1-1)



HVJB84(2-2)



HVJB Range

The ABTECH HVJB range is the latest range in the High Voltage series and offers improved flexibility over the DPJB range in many situations and is suitable for operating voltages up to 11 kV maximum.

In conjunction with most of the High Voltage series it is manufactured in either mild steel or stainless steel and utilises the SX7 and SX8 range of enclosure. This is the standard sizes although custom sizes are available to special order. The HVJB range can accommodate conductors up to 630mm² and can be split in to 4 phases, 3 ways in each direction. Incoming and outgoing cables can enter from the same end of the enclosure or from different ends.

All hazardous area versions are ATEX certified to the latest standards and are suitable for operation in a Category 2/Zone 1 area and Category 3/Zone 2 area.

Standard operating ambient temperature is in the range - 20°C to + 40°C (-4°F to +176°F). Extended temperature ranges are available by special order.

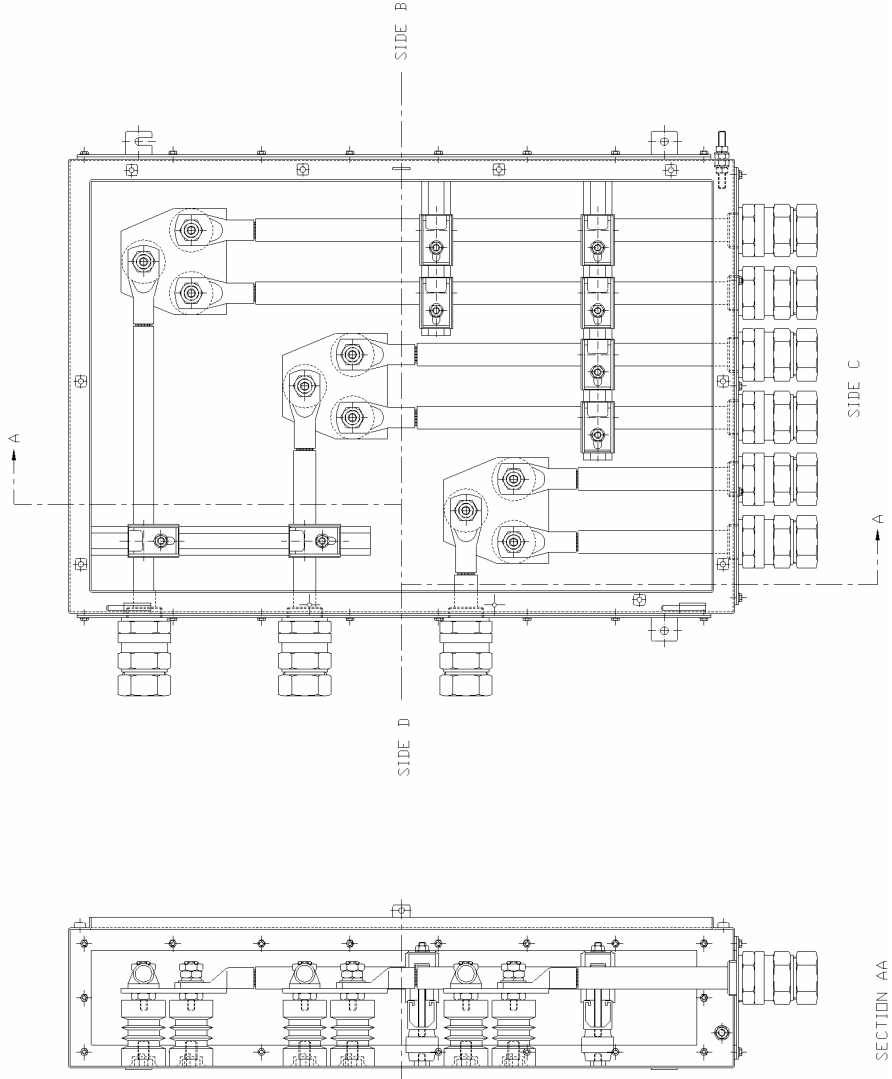


| Part Number | Maximum Current (A) | Maximum Voltage (kV) | Maximum Ways | Top Cables | Bottom Cables | Max. Conductor Size (mm ²) |
|---------------|---------------------|----------------------|--------------|------------|---------------|--|
| HVJB x3 (0-2) | 980 | 11 | 3 | 0 | 2 | 630 |
| HVJB x3 (0-3) | 980 | 11 | 3 | 0 | 3 | 630 |
| HVJB x3 (2-0) | 980 | 11 | 3 | 2 | 0 | 630 |
| HVJB x3 (3-0) | 980 | 11 | 3 | 3 | 0 | 630 |
| HVJB x3 (1-1) | 980 | 11 | 3 | 1 | 1 | 630 |
| HVJB x3 (1-2) | 980 | 11 | 3 | 1 | 2 | 630 |
| HVJB x3 (2-1) | 980 | 11 | 3 | 2 | 1 | 630 |
| HVJB x3 (2-2) | 980 | 11 | 3 | 2 | 2 | 630 |
| HVJB x3 (1-3) | 980 | 11 | 3 | 1 | 3 | 630 |
| HVJB x3 (3-1) | 980 | 11 | 3 | 3 | 1 | 630 |
| HVJB x3 (2-3) | 980 | 11 | 3 | 2 | 3 | 630 |
| HVJB x3 (3-2) | 980 | 11 | 3 | 3 | 2 | 630 |
| HVJB x3 (3-3) | 980 | 11 | 3 | 3 | 3 | 630 |
| HVJB x4 (0-2) | 980 | 11 | 4 | 0 | 2 | 630 |
| HVJB x4 (0-3) | 980 | 11 | 4 | 0 | 3 | 630 |
| HVJB x4 (2-0) | 980 | 11 | 4 | 2 | 0 | 630 |
| HVJB x4 (3-0) | 980 | 11 | 4 | 3 | 0 | 630 |
| HVJB x4 (1-1) | 980 | 11 | 4 | 1 | 1 | 630 |
| HVJB x4 (1-2) | 980 | 11 | 4 | 1 | 2 | 630 |
| HVJB x4 (2-1) | 980 | 11 | 4 | 2 | 1 | 630 |
| HVJB x4 (2-2) | 980 | 11 | 4 | 2 | 2 | 630 |
| HVJB x4 (1-3) | 980 | 11 | 4 | 1 | 3 | 630 |
| HVJB x4 (3-1) | 980 | 11 | 4 | 3 | 1 | 630 |
| HVJB x4 (2-3) | 980 | 11 | 4 | 2 | 3 | 630 |
| HVJB x4 (3-2) | 980 | 11 | 4 | 3 | 2 | 630 |
| HVJB x4 (3-3) | 980 | 11 | 4 | 3 | 3 | 630 |

The letter 'x' in the Part Number above should be replaced with the number 7 or 8 depending on the size of enclosure required. 7 refers to an SX7 size enclosure measuring 650 x 950 x 300mm. 8 refers to an SX8 enclosure measuring 800 x 1250 x 300mm. If cables greater than 300mm² are used it is advisable to use the SX8 size enclosure.

- SX Range 1
- BPG Range 2
- BPGA Range 3
- ZAG Range 4
- High Voltage 5
- Fire Rated 6
- ZP Range 7
- Others 8
- Technical 9

LR Range Drawings



LR Range

The ABTECH LR range was initially designed as a special for a particular application but has seen increasing use by clients due to the unique flexibility afforded by the design.

The LR range is manufactured in either mild steel or stainless steel and utilises the SX range of enclosures from SX5 through to SX8 all available in either 200 or 300mm depths. These are the standard sizes depending on maximum operating voltage and conductor sizes, although custom sizes can be manufactured to special order.

By using the SX design the same benefits are afforded to the LR range. These benefits include: ingress protection to IP 66 as standard with IP 67 available as an option, enclosure tested to the Shell/ERA deluge specification, heavy duty construction, padlock facility and an internal/external earth stud fitted as standard.

All hazardous area versions are ATEX certified using the latest standards and are suitable for operation in a Category 2/Zone 1 area and a Category 3/Zone 2 area.

Standard operating ambient temperature is in the range - 20°C to + 40°C (-4°F to +176°F). Versions are available which can accommodate an ambient temperature range of - 50°C to + 65°C (-58°F to +149°F).



| Part Number | Width (mm) | Height (mm) | Depth (mm) | Maximum Current (A) | Maximum Voltage (kV) | Maximum Ways | Max. Conductor Size (mm ²) |
|-------------|------------|-------------|------------|---------------------|----------------------|--------------|--|
| LR52(200) | 510 | 510 | 200 | 1250 | 3.3 | 2 | 630 |
| LR52(300) | 510 | 510 | 300 | 1250 | 3.3 | 2 | 630 |
| LR73(200) | 650 | 950 | 200 | 1250 | 3.3 | 3 | 630 |
| LR73(300) | 650 | 950 | 300 | 1250 | 3.3 | 3 | 630 |

The LR52 version ATEX certification is based on the SX5-3GP-200 (3 gland plates, 200mm deep) and SX5-3GP-300 (3 gland plates, 300mm deep).

The LR73 version ATEX certification is based on the SX7-3GP-200 (3 gland plates, 200mm deep) and SX7-3GP-300 (3 gland plates, 300mm deep).

Other sizes are available on request.

SX Range 1

BPG Range 2

BPGA Range 3

ZAG Range 4

High Voltage 5

Fire Rated 6

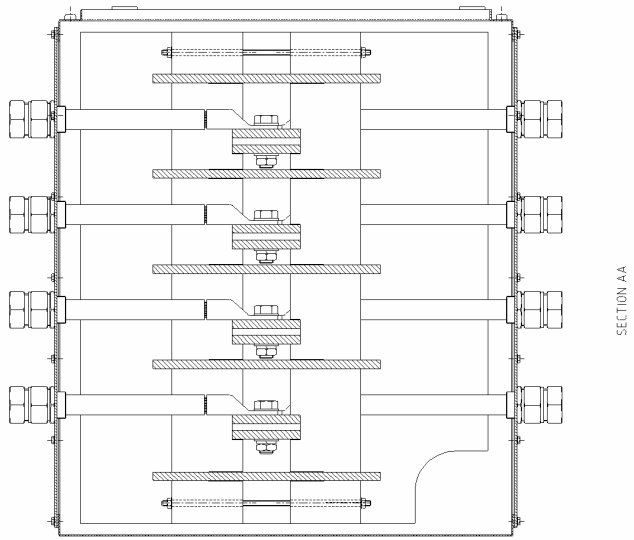
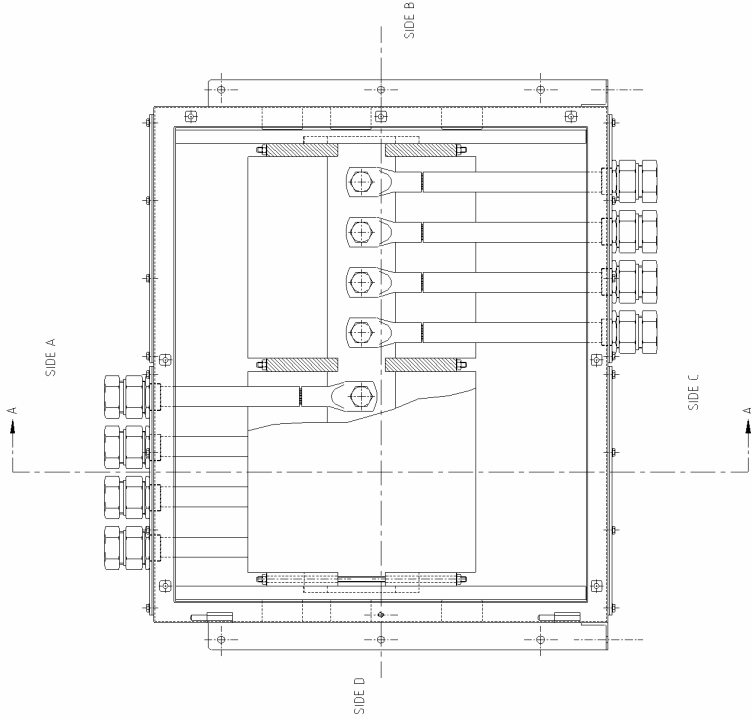
ZP Range 7

Others 8

Technical 9

5
High Voltage

Bus-Bar Range Drawing



Bus-Bar Range

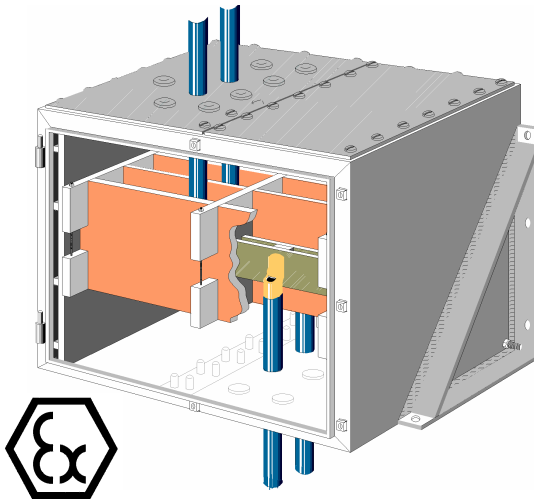
The ABTECH Bus-Bar box is used for the connection of cables or equipment where the conductor size and number of cables being connected would make it very difficult in any other ABTECH High Voltage range.

The Bus-Bar box is ideally suited for conductor sizes over 400mm², as the design allows cables to enter the enclosure and be terminated onto the busbar without having to be bent. This makes for quick and easy installation in applications which have normally been considered difficult to accomplish.

Although not based on a particular size of standard enclosure, the Bus-Bar box utilises the SX range features and is consequently afforded the same benefits from the use of these. These benefits include: ingress protection to IP66 as standard with IP67 available as an option, heavy duty construction, padlock facility and an internal/external earth stud fitted as standard. Additionally, the Bus-Bar box incorporates heavy duty mounting facilities which can be adapted to suit the customer's requirements.

The Bus-Bar box is ATEX certified using the latest standards and is suitable for operation in a Category 2/Zone 1 area and a Category 3/Zone 2 area.

Standard operating ambient temperature is in the range - 20°C to + 40°C (-4°F to +176°F). Versions are available which can accommodate an ambient temperature range of - 50°C to + 65°C (-58°F to +149°F).



| Part Number | Maximum Width (mm) | Maximum Height (mm) | Maximum Depth (mm) | Maximum Current (A) | Maximum Voltage (kV) | Maximum Ways | Maximum Conductors per Way | Maximum Ways | Max. Conductor Size (mm ²) |
|-------------|--------------------|---------------------|--------------------|---------------------|----------------------|--------------|----------------------------|--------------|--|
| Bus-Bar Box | 770 | 770 | 1250 | 3000 | 11 | 4 | 6 | 4 | 1000 |

The sizes stated above are the maximum sizes allowable. Smaller sizes are available to accommodate customer's requirements.

SX Range 1

BPG Range 2

BPGA Range 3

ZAG Range 4

High Voltage 5

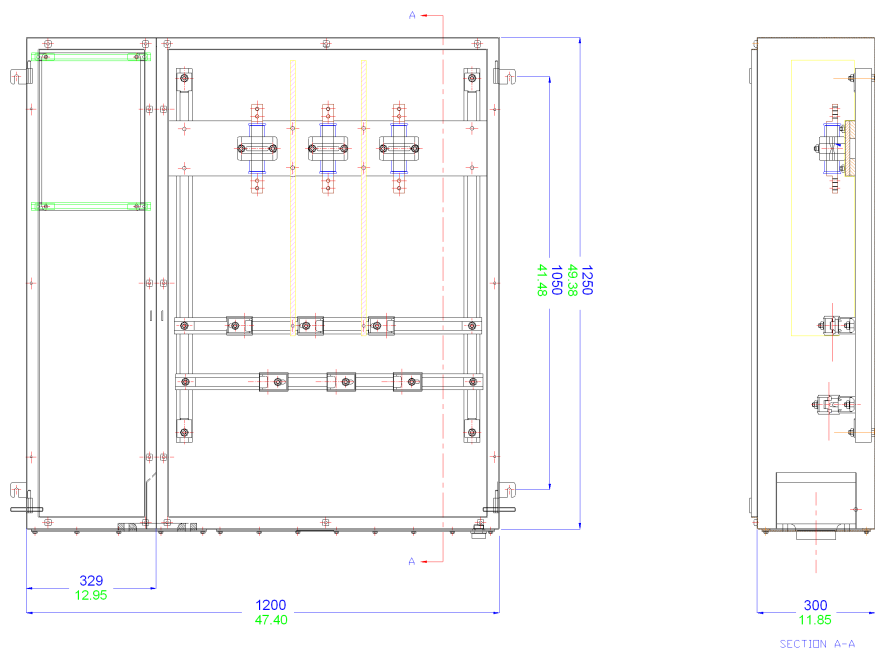
Fire Rated 6

ZP Range 7

Others 8

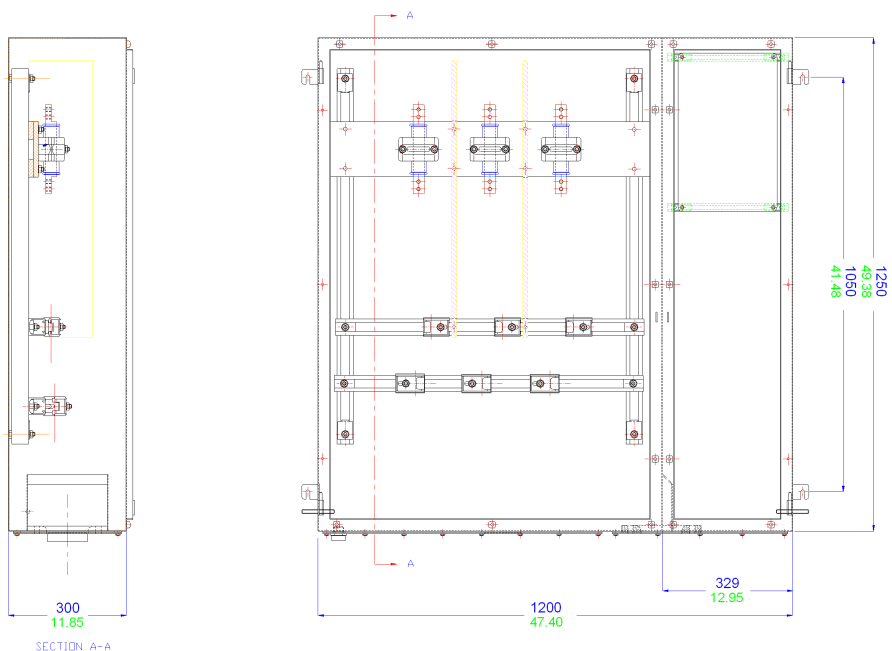
Technical 9

SX125 LH Drawing



5 High Voltage

SX125 RH Drawing



SX125 Range

The SX125 provides a unique solution to the termination of umbilical cables to offshore platform or on-shore distribution systems. Based on the successful and service proven SX range, they are available as either a left hand or right hand configuration. A power conductor compartment is provided for use at up to 11 kV and a separate control compartment for terminating optical fibres and/or control conductors.

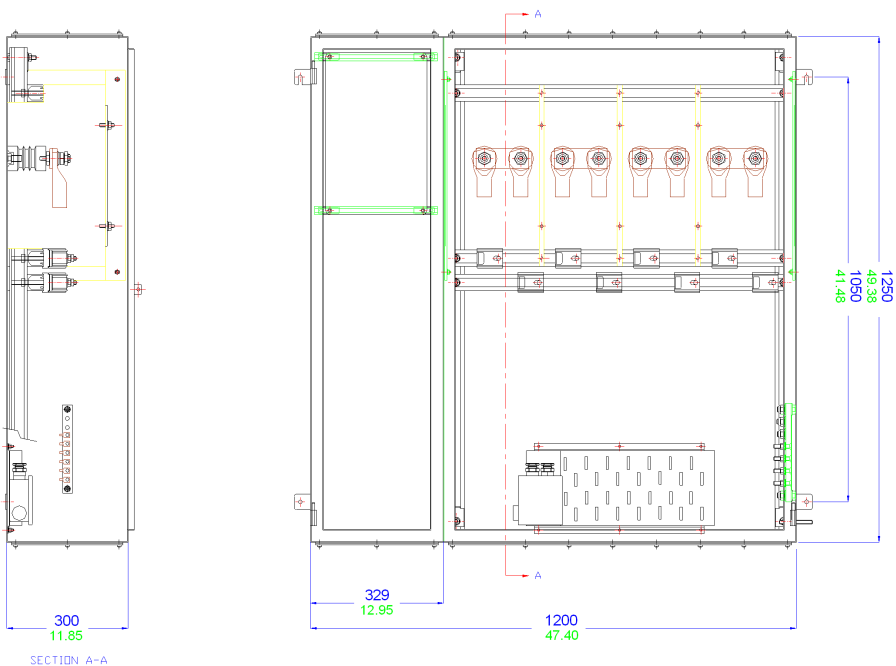
Each compartment gives independent protection to IP 66. This facilitates working on the optical fibres or control conductors without the need to isolate the feed to the power compartment.

The SX125 is available with either 3 couplers or 4 couplers, each capable of connecting up to 3 power conductors. In the control compartment there is the option to mount the optical fibre splice cassettes either directly onto a chassis plate or inside an additional EEx'e' certified enclosure for increased environmental protection. Terminals for control conductors can be treated in the same manner as optical fibres.

For higher voltage applications the SX125 is available with a purging system.

For high current applications the HVJB 125 was developed as an extension to the SX125 range. Offering all the facilities of the SX125 the HVJB 125 adds the facility for a suitably certified anti-condensation heater.

HVJB125 LH Drawing



- SX Range 1
- BPG Range 2
- BPGA Range 3
- ZAG Range 4
- High Voltage 5
- Fire Rated 6
- ZP Range 7
- Others 8
- Technical 9