

ATB Bulkhead Luminaire

The Ablux ATB Zone 2 bulkhead luminaire provides walkway or stairwell lighting in a compact enclosure utilising HID or compact fluorescent lamps. The ATB uses a highly efficient reflector design to ensure excellent distribution. Ingress protected to IP66/67 according to EN60529.



IP66/67



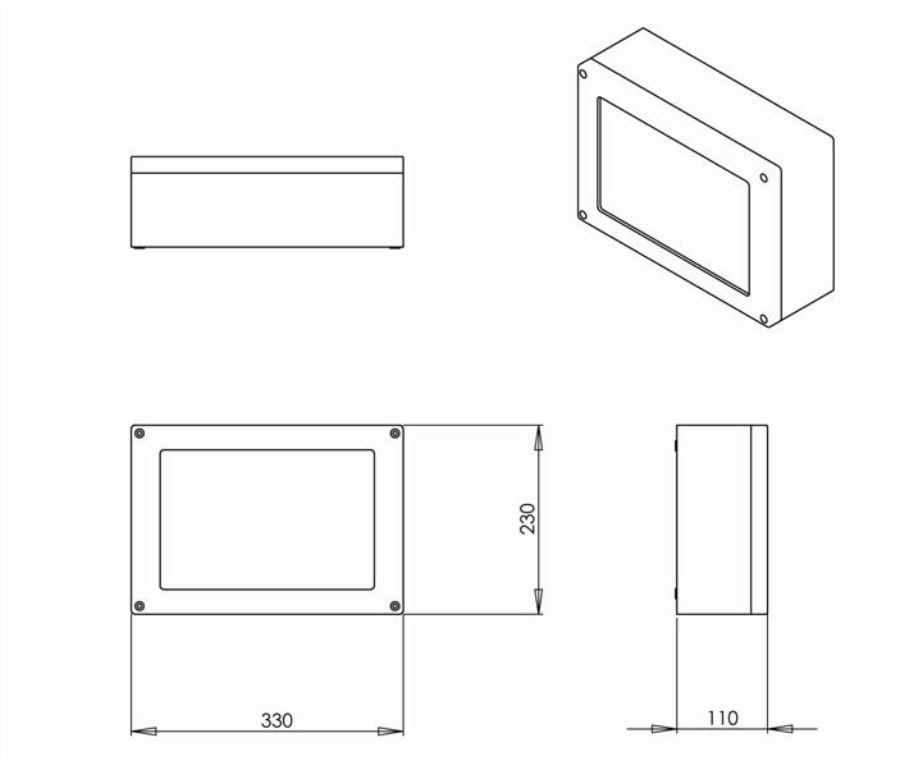
Apparatus Ratings

Product Reference	Lamp Type	Lamp cap	Power (W)	Temperature Rating	Ambient Temperature	Weight (Kg)
ATB70SH	HPS/MBI	E27	70W	T4	-50°C to 55°C	9
ATB11CF	CFL	N/A	11W	T4	-50°C to 55°C	9

Luminaire Specifications

Apparatus Type	Zone 2 Bulkhead Luminaire
Ingress Protection	IP66/67 to EN60529
Material	Die cast aluminium LM6, toughened glass window, silicone gaskets
Distribution/output	Highly reflector system.
Lamp Types	High Pressure Sodium, Metal Halide or compact fluorescent
Lamp Cap	E27/ES
Lamp Change	Via front cover.
Cable Entry	2 x M20 clearance hole (M25 Option)
Terminals	Looping terminal block for up to 6mm ² conductors as standard
Control Gear	Copper and iron ballast, timed impulse ignitor, pfc capacitor
Orientation	Universal.
Mounting	Rear mounting holes
Supply	Standard: 220 to 254V 50/60Hz Option: other voltages available on request
Certification	
Area Classification	Group II Category 3 G D (Zone 2)
Type of Protection	Ex nR (restricted breathing)
Apparatus Coding	II 3 GD Ex nR II(see table for temperature rating & ambient temperature range)

Apparatus Dimensions



Options

M25 Cable entries	/M25
Non standard voltage	/110 (check with sales office to ensure availability)
Parabolic Reflector	/PR (Asymmetric reflector standard)

Add the required suffix to the product reference, for example AZB70SH/M25

Accessories

Wire Guard	ATB-WG
Anti Glare Shield	ATB-AGS
Combined Anti Glare Shield/Wire Guard	ATB-WGS
External Mounting Feet	ATB-FM