

APC Photocell

The Abtech APC photocell offers the user the ability to control the switching of lighting in a hazardous area. The APC uses tried and tested circuitry and can assist the end user in helping to reduce carbon emissions and costs by switching off unwanted lighting automatically. Ingress protected to IP66/67 according to EN60529.



Apparatus Ratings

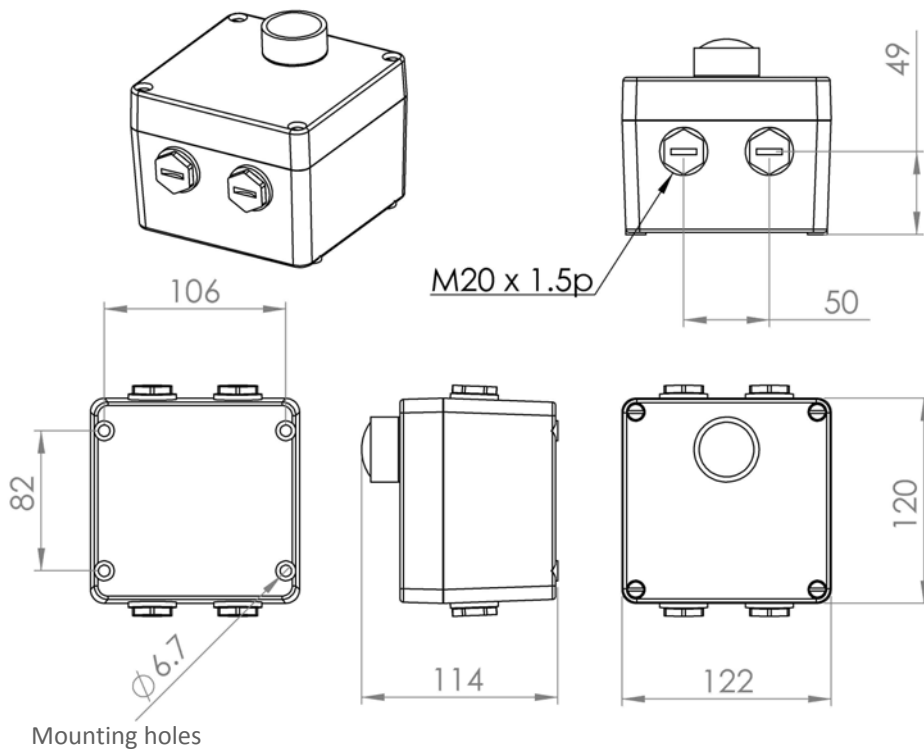
Product Reference	Load Types	Current Rating	Light level	Zone (Category)	Temp. Rating	Ambient Temperature	Weight (Kg)
APC10	Resistive & Inductive	10A	70lux*	Zone 1, 2, 21, 22 (Cat 2 & 3)	T6	-40°C to +55°C	2
APC10/Z2	Resistive & Inductive	10A	70lux*	Zone 2, 22 (Cat 3)	T6	-40°C to +55°C	2

*Alternative switching levels are available; please contact the sales office to discuss requirements

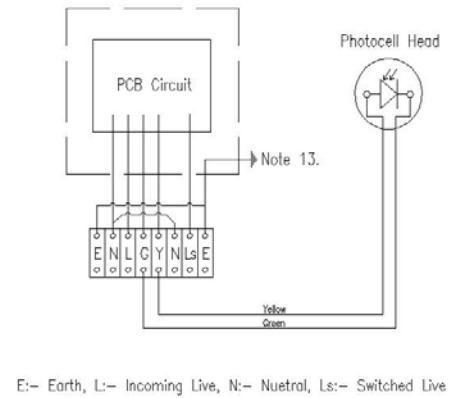
Luminaire Specifications

Apparatus Type	Electronic Photocell	
Ingress Protection	IP66/67 to EN60529	
Material	Glass reinforced polyester housing, polycarbonate sensor window	
Switching Level	70 lux (other switching levels available on request)	
Lamp Types	Suitable for use with all lamp types, resistive and inductive loads	
Lamp Cap	N/A	
Lamp Change	N/A	
Cable Entry	4 x M20 tapped entries (other variations available, please contact sales for assistance)	
Terminals	Terminals for up to 4mm ² conductors plus 4mm ² luminaire feed	
Control Gear	Electronic with on load switching up to 10A	
Orientation	Universal	
Mounting	Via rear mounting holes	
Supply	Standard: 110 to 254V 50/60Hz (other voltages available on request)	
Certification	APC10	APC10/Z2
Area Classification	Group IIC Category 2 G (Zone 1, 2) Group IIIC Category 2 D (Zone 21, 22)	Group IIC Category 3 G (Zone 2) Group IIIC Category 3 D (Zone 22)
Type of Protection	Ex e mb (increased safety, encapsulation)	Ex nA mc (non sparking, encapsulation)
Apparatus Coding	II 2 GD Ex e mb IIC T6 Gb Ex tb IIIC T80°C Db	II 3 GD Ex nA mc IIC T6 Gc Ex tc IIIC T80°C Dc
Ambient Temperature	(-40°C ≤ Tamb ≤ 55°C)	

Apparatus Dimensions



Wiring Diagram



Options

M16 Cable entries	M16
Non standard voltage	277 (check with sales office to ensure availability)
Lighting level	L85 (contact sales office to discuss requirements)

Add the required suffix to the product reference, for example APC10/M16

Accessories

External Mounting Feet	APC-FM
------------------------	--------

Contact Details

Abtech Limited
Sanderson Street
Lower Don Valley
Sheffield
South Yorkshire
United Kingdom
S9 2UA

t : +44 (0) 114 2442 424
f : +44 (0) 114 2434 312
e : sales@abtech.eu

